

STANDARD CAMERA

MNC-512F, MNC-524F, MNC-523F TRUE DAY & NIGHT CCTV CAMERA



- FEATURES -

- 1/3" SONY High-Resolution Super HAD CCD
- 540TV Lines Horizontal Resolution
- Excellent Low Light Sensitivity of 0.3Lux/F1.2
- True Day & Night : Built-in Filter Switching Mechanism
- Motion Detection
- Privacy
- OSD Menu Control by Push Button
- Strong Compatibility with Various Lens Type

* **MNC-524F** : DC 12V / AC24V

* **MNC-523F** : AC 230V



1/3 SONY SUPER HAD CCD



COLOR



FILTER SWITCHING MECHANISM



DAY & NIGHT



FLICKER-LESS

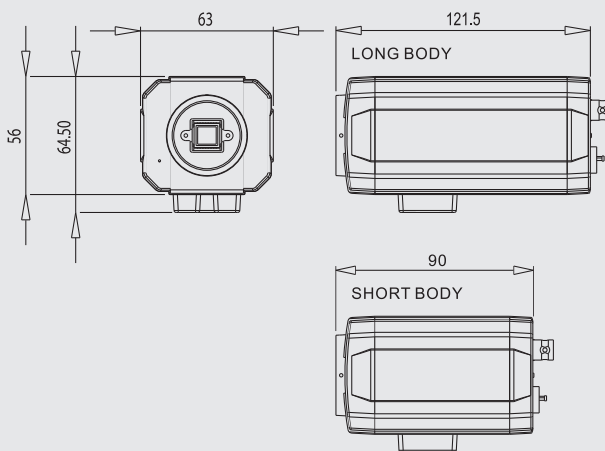


AUTO-IRIS

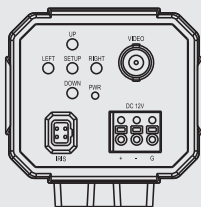


DC12V, AC230V
AC24V/DC12V

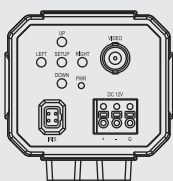
- DIMENSION -



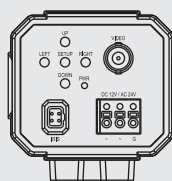
- REAR VIEW -



DC12V



DC12V / AC24V



AC230V

- SPECIFICATIONS -

MNC-512F / MNC-524F / MNC-523F		
Signal Format	NTSC	PAL
Horizontal Resolution	540TV Lines	
Image Sensor	1/3" SONY High-Resolution Super HAD CCD	
Effective Pixels	768(H) x 494(V)	752(H) x 582(V)
Scanning System	2:1 Interlace	
Synchronization	Internal	
Scanning Frequency	15.734 KHz(H), 59.94 Hz(V)	15.625 KHz(H), 50.00 Hz(V)
Video Output	CVBS : 1.0Vp-p/75Ω	
Min. Illumination	Color : 0.3Lux/F1.2, B/W : 0.01Lux/F1.2	
Electronic Shutter	FLK / FIXED / MANUAL / AUTO (1/60 ~ 1/100,000 sec)	FLK / FIXED / MANUAL / AUTO (1/50 ~ 1/100,000 sec)
IRIS Control	DC / MANUAL	
Signal to Noise Ratio	50dB (AGC Off)	
Backlight Compensation	ON / OFF	
White Balance	ATW / AWB / FIXED / MANUAL	
Gain Control	ON / OFF	
Day & Night	COLOR / BW / AUTO	
Gamma	Adjustable	
Flickerless	ON / OFF	
Motion Detection	ON / OFF	
Privacy	ON / OFF	
Mirror	ON / OFF	
Sharpness	ON / OFF (Level Adjustable)	
OSD	Built-in (Chinese, English, Japanese, Korean)	
Input Voltage	MNC-512F : DC 12V (±10%) MNC-524F : DC 12V / AC 24V MNC-523F : AC 230V	
Power Consumption	Max. 2.0W	
Operating Temp/Hum	Temperature : -10°C to +50°C / Humidity : 20% to 80% RH	
Storage Temp/Hum	Temperature : -20°C to +60°C / Humidity : 20% to 90% RH	
Dimension	63.0(W) x 64.5(H) x 121.5(D)mm	
Weight	MNC-512F : Approx. 320g MNC-524F : Approx. 340g MNC-523F : Approx. 520g	