

STANDARD CAMERA

MNC-512S, MNC-524S, MNC-523S

HIGH QUALITY 3D DNR CCTV CAMERA



- FEATURES -

- 1/3" SONY High-Resolution Super HAD CCD
- 560TV Lines Horizontal Resolution
- Excellent Low Light Sensitivity of 0.3Lux/F1.2
- Sens-up : x2 ~ x256 (0.0002Lux/F1.2)
- Day & Night
- Digital WDR
- 3D DNR : 3D Digital Noise Reduction
- HSBLC : Highlight Suppress BLC
- x32 Digital Zoom
- RS-485 Communication
- OSD Menu Control by Push Button
- Strong Compatibility with Various Lens Type

* **MNC-524S** : DC 12V / AC24V

* **MNC-523S** : AC 230V



1/3 SONY
SUPER HAD CCD



DAY & NIGHT



DIGITAL WDR
DIGITAL WIDE
DYNAMIC RANGE



3D DNR
3D-DIGITAL
NOISE REDUCTION



SENS-UP
SENS-UP
SENS-UP
0.0002 Lux



HSBLC
HIGH-LIGHT
SUPPRESS BLC

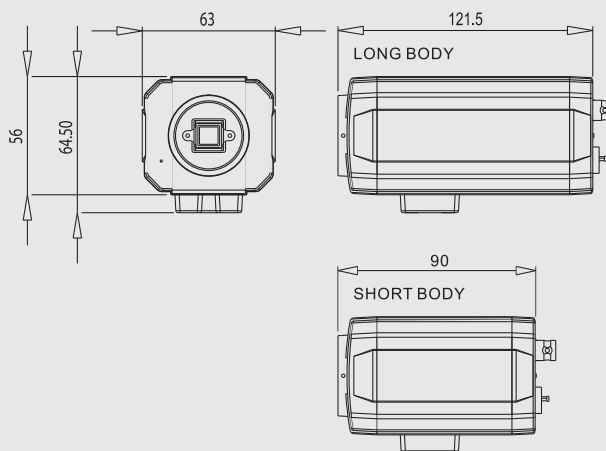


AUTO IRIS

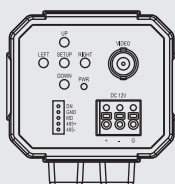
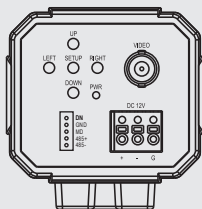


DC 12V AC 230V
DC 12V / AV 24V

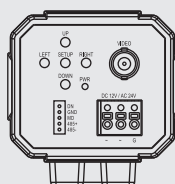
- DIMENSION -



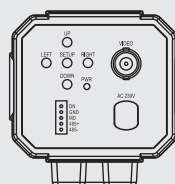
- REAR VIEW -



DC12V



DC12V / AC24V



AC230V

- SPECIFICATIONS -

MNC-512S / MNC-524S / MNC-523S		
Signal Format	NTSC	PAL
Horizontal Resolution	560TV Lines	
Image Sensor	1/3" SONY High-Resolution Super HAD CCD	
Effective Pixels	768(H) x 494(V)	752(H) x 582(V)
Scanning System	2:1 Interlace	
Synchronization	Internal	
Scanning Frequency	15.734 KHz(H), 59.94 Hz(V)	15.625 KHz(H), 50.00 Hz(V)
Video Output	CVBS : 1.0Vp-p/75Ω	
Min. Illumination	0.3 Lux/F1.2 (Sens-up : 0.0002 Lux/F1.2)	
Electronic Shutter	1/60 ~ 1/100,000 sec	1/50 ~ 1/100,000 sec
Iris Control	DC / MANUAL	
Signal to Noise Ratio	50dB (AGC Off, Weight On)	
Backlight Compensation	BLC / HSBLC / OFF	
White Balance	AWB / MANUAL / INDOOR / OUTDOOR / ATW (2,000°K ~ 20,000°K)	
Gain Control	LOW / MIDDLE / HIGH / OFF	
3D DNR	ON / OFF	
Day & Night	AUTO / COLOR / BW / EXT	
Sens-up	AUTO / OFF (Selectable x2 ~ x256)	
Digital WDR	INDOOR / OUTDOOR / OFF	
Digital Zoom	OFF / ON (x1.1 ~ x32, PAN, TILT)	
Gamma	Adjustable (0.05 ~ 1.00)	
Motion Detection	ON / OFF (4 Zone)	
Privacy	ON / OFF (8 Zone)	
Mirror	MIRROR / V-FLIP / ROTATE / OFF	
Freeze	ON / OFF	
Sharpness	ON / OFF (Level Adjustable)	
Communication	RS-485	
OSD	Built-in (Kor, Eng, Jap)	
Input Voltage / Power Consumption	MNC-512S : DC 12V (±10%), Max. 2.0W MNC-524S : DC 12V / AC 24V, Max. 4.0W MNC-523S : AC 230V, Max. 6.5W	
Operating Temp/Hum	Temperature : -10°C to +50°C / Humidity : 30% to 80% RH	
Storage Temp/Hum	Temperature : -20°C to +60°C / Humidity : 20% to 90% RH	
Dimension	63.0(W) x 64.5(H) x 121.5(D)mm	
Weight	Approx. 320g (MNC-512S)	