

# STANDARD CAMERA

## MSC-512S3, MSC-524S3, MSC-523S3 600TV LINES CCTV CAMERA



### - FEATURES -

- 1/3" SONY High-Resolution Super HAD CCD II
- 600TV Lines Horizontal Resolution
- Excellent Low Light Sensitivity of 0.15Lux/F1.2
- Sens-up : x2 ~ x256 (0.0006Lux/F1.2)
- DNR : Digital Noise Reduction
- HLC : High-Light Compensation
- DIS : Digital Image Stabilizer
- x256 Digital Zoom
- RS-485
- OSD Menu Control by Push Button
- Strong Compatibility with Various Lens Type

\* **MSC-524S3** : DC 12V / AC 24V

\* **MSC-523S3** : AC 230V



1/3 SONY  
SUPER HAD CCD II



COLOR



DAY & NIGHT



DNR  
DIGITAL NOISE  
REDUCTION



SENS-UP  
SENS-UP  
0.0006 Lux



HLC  
HIGH-LIGHT  
COMPENSATION



DIS  
DIGITAL  
IMAGE STABILIZER

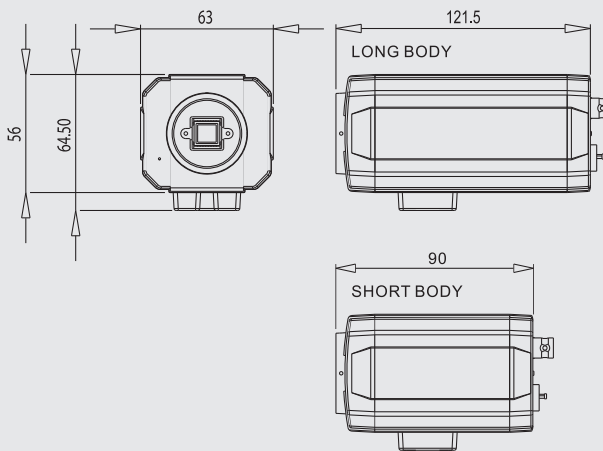


AUTO-IRIS

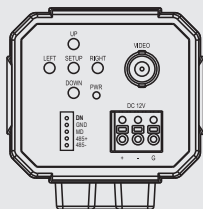


DC 12V, AC 230V  
DC 12V / AV 24V

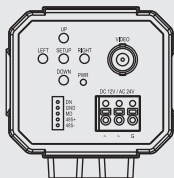
### - DIMENSION -



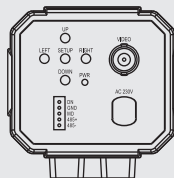
### - REAR VIEW -



DC12V



DC12V / AC24V



AC230V

### - SPECIFICATIONS -

MSC-512S3 / MSC-524S3 / MSC-523S3			
Signal Format	NTSC	PAL	
Horizontal Resolution	600TV Lines		
Image Sensor	1/3" SONY High-Resolution Super HAD CCD II		
Effective Pixels	768(H) x 494(V)	752(H) x 582(V)	
Scanning System	2:1 Interlace		
Synchronization	Internal		
Scanning Frequency	15.734 KHz(H), 59.94 Hz(V)	15.625 KHz(H), 50.00 Hz(V)	
Video Output	CVBS : 1.0Vp-p/75Ω		
Min. Illumination	Color : 0.15Lux/F1.2, 0.0006Lux/F1.2 (Sens-up x256) B/W : 0.001Lux/F1.2, 0.00004Lux/F1.2 (Sens-up x256)		
Electronic Shutter	1/60 ~ 1/120,000 sec	1/50 ~ 1/120,000 sec	
IRIS Control	DC / VIDEO / MANUAL		
Signal to Noise Ratio	52dB (AGC Off, Weight On)		
Backlight Compensation	BLC / HLC / OFF		
White Balance	ATW / AWC / MANUAL / OUTDOOR (1,800°K ~ 10,500°K) / INDOOR (4,500°K ~ 8,500°K)		
Gain Control	LOW / HIGH / OFF		
Digital Noise Reduction	ON / OFF		
Day & Night	COLOR / BLACK & WHITE / AUTO / EXT		
Sens-up	AUTO / FIXED / OFF (Selectable x2 ~ x256)		
Digital Image Stabilizer	ON / OFF		
Digital Zoom	ON / OFF (x256 Zoom)		
Motion Detection	ON / OFF (8 Zone, Alarm Output)		
Privacy	ON / OFF (32 Zone)		
Mirror (H-REV)	ON / OFF		
Flip (V-REV)	ON / OFF		
Rotate	ON / OFF		
Freeze	ON / OFF		
Sharpness	ON / OFF (Level Adjustable)		
OSD	Built-in (Chinese, English, French, German, Italian, Japanese, Korean, Spanish)		
Input Voltage	DC 12V (±10%)	DC 12V / AC 24V	AC 230V
Power Consumption	Max. 2.4W	Max. 4.0W	Max. 6.5W
Operating Temp/Hum	Temperature : -10°C to +50°C / Humidity : 30% to 80% RH		
Storage Temp/Hum	Temperature : -20°C to +60°C / Humidity : 20% to 90% RH		
Dimension	63.0(W) x 64.5(H) x 121.5(D)mm		
Weight	Approx. 400g		