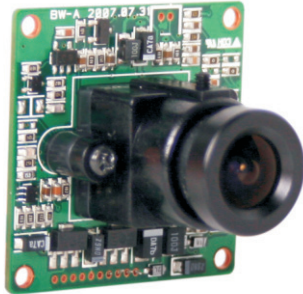


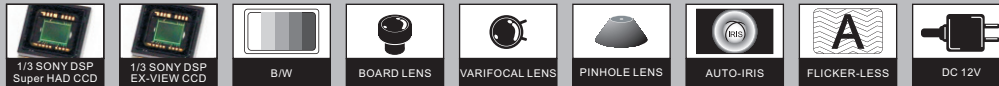
# TCM-3232, TCM-3232X

## 32x32 SIZE MODULE CAMERA

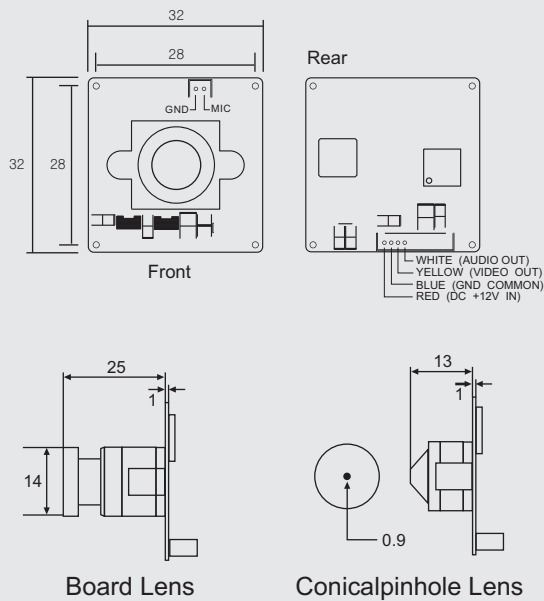


### - FEATURES -

- TCM-3232 : 1/3" SONY DSP Super HAD B/W CCD  
TCM-3232X : 1/3" SONY DSP EX-View B/W CCD
- 420TV Lines Horizontal Resolution
- 32x32mm Size One Board Camera
- Min. Illumination :  
TCM-3232 : 0.05Lux/F1.2  
TCM-3232X : 0.0003Lux/F1.2



### - DIMENSION -



### - SPECIFICATION -

TCM-3232 / TCM-3232X		
Signal Format	EIA	CCIR
Horizontal Resolution	420TV Lines	
Image Sensor	TCM-323H : 1/3" SONY DSP Super HAD B/W CCD TCM-3232X : 1/3" SONY DSP EX-View B/W CCD	
Scanning System	525 lines interlaced	625 lines interlaced
Synchronization	Internal	
Video Output	CVBS : 1.0Vp-p/75Ω	
Min. Illumination	TCM-3232 : 0.05Lux/F1.2 TCM-3232X : 0.0003Lux/F1.2	
Signal to Noise Ratio	45dB or more (AGC Off)	
Gamma	0.45	
Gain Control	AUTO	
Input Voltage	DC 12V (±10%)	
Power Consumption	Max. 1.8W	
Operating Temperature	-10°C to +55°C	
Operating Humidity	Under 85% Non-condensing	
Lens	Board Lens, Pinhole Lens	
Dimension	32(W) x 32(H)mm	
Option	Audio	