

## DOME CAMERA

# TDC-3232WSD5, TDC-3232WFD5

## MINI VANDAL DOME CAMERA



Surface Mount Type



Flush Mount Type

### - FEATURES -

- 1/3" SONY High-Resolution Super HAD CCD
- Color : 560TV Lines, B/W : 700TV Lines
- Color 0.2Lux
- True Day & Night : Filter Switching Mechanism Built-in
- HSBLC : Highlight Suppress BLC
- 3D-DNR : 3D-Digital Noise Reduction
- DIS : Digital Image Stabilizer
- Digital Zoom (x18)
- Built-in Fixed Board Lens 3.6mm (4/6/8/12mm:Option)
- Vandal Proof Dome Type
- IP 66 System



1/3 SONY DSP Super HAD CCD



COLOR



Auto / IRIS



VANDAL PROOF



BOARD LENS

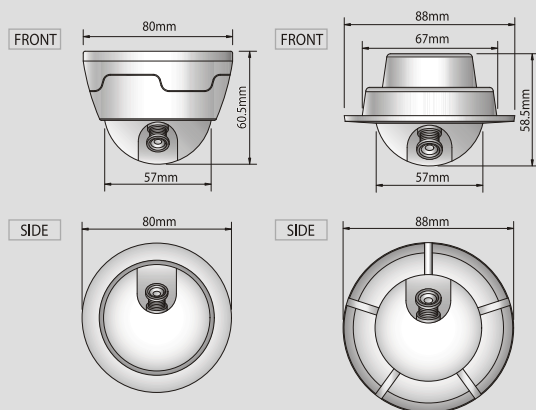


IP-66

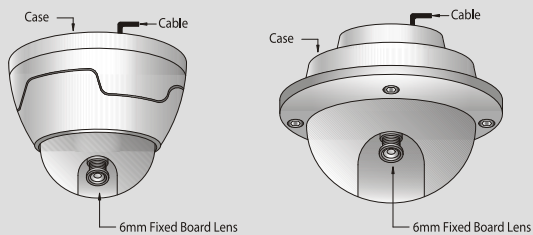


DC 12V

### - DIMENSION -



### - CONNECTION -



### - SPECIFICATION -

| TDC-3232WSD5 / TDC-3232WFD5 |  |                            |
|-----------------------------|--|----------------------------|
| Signal Format               | NTSC   | PAL                        |
| Horizontal Resolution       | Color : 560TV Lines, B/W : 700TV Lines                               |                            |
| Image Sensor                | 1/3" SONY High-Resolution Super HAD CCD                              |                            |
| Effective Pixels            | 768(H) x 494(V)  | 752(H) x 582(V)            |
| Scanning System             | 2:1 Interface  |                            |
| Synchronization             | Internal   |                            |
| Scanning Frequency          | 15.734 KHz(H), 59.94 Hz(V)   | 15.625 KHz(H), 50.00 Hz(V) |
| Video Output                | CVBS : 1.0Vp-p/75Ω   |                            |
| Min. Illumination           | Color : 0.2Lux/F1.2  |                            |
| Electronic Shutter          | 1/60 ~ 1/90,000 sec  | 1/50 ~ 1/90,000 sec        |
| IRIS Control                | DC / MANUAL  |                            |
| Signal to Noise Ratio       | 50dB (AGC Off, Weight On)  |                            |
| Backlight Compensation      | BLC / HSBLC / OFF Selectable   |                            |
| White Balance               | ATW / AWC / MANUAL (1,700°K ~ 11,000°K)                              |                            |
| Gain control                | LOW / MIDDLE / HIGH / OFF Selectable                                 |                            |
| 3D-DNR                      | LOW / MIDDLE / HIGH / OFF Selectable                                 |                            |
| Day & Night                 | COLOR / BLACK & WHITE / AUTO / EXT                                   |                            |
| Sens-up                     | AUTO / OFF (Selectable x2 ~ x256)                                    |                            |
| DIS                         | ON / OFF   |                            |
| Digital Zoom                | ON (x2 ~ x18) / OFF  |                            |
| Motion Detection            | ON / OFF (4 Zone)  |                            |
| Privacy                     | ON / OFF (8 Zone)  |                            |
| Mirror                      | ON / OFF   |                            |
| Sharpness                   | ON / OFF (Level Adjustable)  |                            |
| OSD                         | Built-in   |                            |
| Input Voltage               | DC 12V (±10%)  |                            |
| Power Consumption           | Max. 3.1W  |                            |
| Operating Temp/Hum          | -10°C to +50°C / 30% to 80% RH                                       |                            |
| Storage Temp/Hum            | -20°C to +60°C / 20% to 90% RH                                       |                            |
| Dimension                   | TDC-3232WSD5 : 80(Φ) x 60.5(H)mm<br>TDC-3232WFD5 : 88(Φ) x 85.5(H)mm |                            |
| Weight                      | TDC-3232WSD5 : 300g, TDC-3232WFD5 : 328g                             |                            |