

## DOME CAMERA

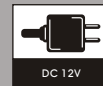
# TDC-3238SD1

## COLOR DOME CAMERA

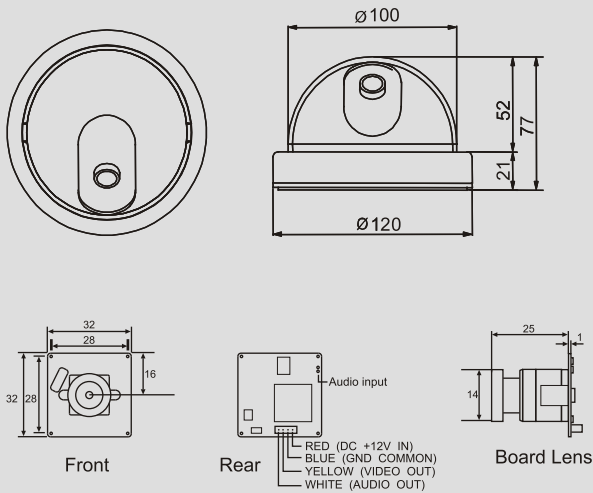


### - FEATURES -

- 1/3" SONY Super HAD CCD
- 380TV Lines Horizontal Resolution
- Color 0.3Lux/2.0
- Auto White Balance
- Auto Gain Control
- Board Lens 3.6mm
- Dome size :  $\Phi 100$



### - DIMENSION -



### - SPECIFICATION -

TDC-3238SD1		
Signal Format	NTSC	PAL
Horizontal Resolution	380TV Lines	
Image Sensor	1/3" SONY Super HAD CCD	
Effective Pixels	510(H) x 492(V)	500(H) x 582(V)
Scanning System	2:1 Interlace	
Synchronization	Internal	
Video Output	CVBS : 1.0Vp-p/75 $\Omega$	
Min. Illumination	0.3Lux/F1.2	
Electronic Shutter	1/60 ~ 1/100,000 sec	1/50 ~ 1/100,000 sec
IRIS Control	DC / MANUAL	
Signal to Noise Ratio	45dB or more (AGC Off)	
Backlight Compensation	ON / OFF	
White Balance	AUTO	
Gain Control	AUTO	
Gamma	0.45	
Flickerless	ON / OFF	
Input Voltage	DC 12V ( $\pm 10\%$ )	
Power Consumption	MAX 1.8W	
Operating Temp/Hum	-10°C to +55°C / Under 85% Non-condensing	
Storage Temp/Hum	-20°C to +70°C / Under 90% Non-condensing	
Dimension	120( $\Phi$ ) x 77(H)mm	
Weight	150g	