

DOME CAMERA

TDC-712GSD5, TDC-712GFD5

MINI VANDAL DOME CAMERA



TDC-712GSD5
Surface Mount Type



TDC-712GFD5
Flush Mount Type

- FEATURES -

- 1/3" SONY Double Scan CCD
- 560TV Lines Horizontal Resolution (B/W : 700TV Lines)
- Excellent Low Light Sensitivity of 0.2Lux/F1.2
- Sens-up : x2 ~ x128 (0.0002Lux/F1.2)
- Day & Night
- WDR : Wide Dynamic Range (x128)
- HSBLC : Highlight Suppress BLC
- 3D-DNR : 3D-Digital Noise Reduction
- EIS : Electronic Image Stabilizer
- x8 Digital Zoom
- Board Lens f=3.6mm
- Vandal Proof Dome Type
- IP66 Weatherproof Type
- Compact Design



1/3 SONY
DOUBLE SCAN CCD



COLOR



DAY & NIGHT



WDR
WIDE DYNAMIC
RANGE



3D-DIGITAL
NOISE REDUCTION



SENS-UP
SENS-UP
0.0002 Lux



HSBLC
HIGH-LIGHT
SUPPRESS BLC



BOARD LENS



IP 66

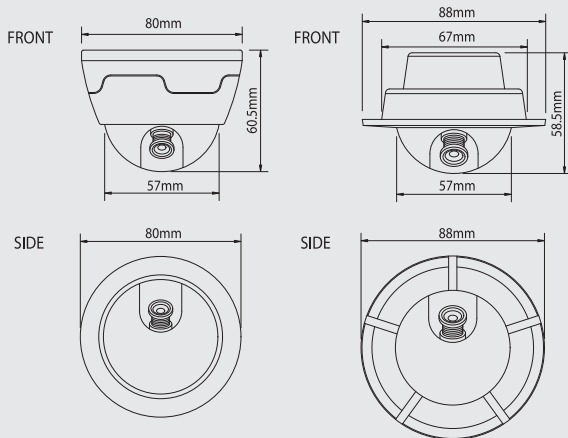


VANDAL PROOF

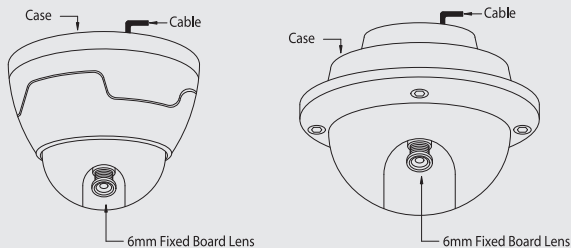


DC 12V

- DIMENSION -



- CONNECTION -



- SPECIFICATIONS -

TDC-712GSD5 / TDC-712GFD5		
Signal Format	NTSC	PAL
Horizontal Resolution	Color : 560TV Lines, B/W : 700TV Lines	
Image Sensor	1/3" SONY Double Scan CCD	
Effective Pixels	768(H) x 494(V)	752(H) x 582(V)
Scanning System	2:1 Interlace	
Synchronization	Internal	
Scanning Frequency	15.734 KHz(H), 59.94 Hz(V)	15.625 KHz(H), 50.00 Hz(V)
Video Output	CVBS : 1.0Vp-p/75Ω	
Min. Illumination	Color : 0.2Lux/F1.2, Sens-up : 0.0002Lux/F1.2	
Electronic Shutter	1/60 ~ 1/90,000 sec	1/50 ~ 1/90,000 sec
IRIS Control	MANUAL	
Signal to Noise Ratio	52dB (AGC Off, Weight On)	
Backlight Compensation	WDR / BLC / HSBLC / OFF	
White Balance	ATW / AWC / MANUAL (1,700°K ~ 11,000°K)	
Gain Control	LOW / MIDDLE / HIGH / OFF	
3D-Digital Noise Reduction	LOW / MIDDLE / HIGH / OFF	
Day & Night	AUTO / DAY / NIGHT / EXT	
Sens-up	AUTO / OFF (Selectable x2 ~ x128)	
Wide Dynamic Range	60dB (x128)	
Electronic Image Stabilizer	ON / OFF	
Digital Zoom	ON / OFF (x8 Zoom)	
Motion Detection	ON / OFF (4 Zone)	
Privacy	ON / OFF (8 Zone)	
Mirror (H-REV)	ON / OFF	
Flip (V-REV)	ON / OFF	
Rotate	ON / OFF	
Sharpness	Adjustable	
OSD	Built-in (Eng, Chi, Kor, Jap, Fra, Ita, Esp, Por, Dut, Ger, Pol, Rus, Tur, Ara, Heb)	
Lens	Board Lens f=3.6mm (Option : 4.0 / 6.0 / 8.0 / 12.0mm)	
Input Voltage	DC 12V (±20%)	
Power Consumption	Max. 1.8W	
Operating Temp/Hum	Temperature : -10°C ~ +50°C / Humidity : 0% ~ 80% RH	
Storage Temp/Hum	Temperature : -20°C ~ +60°C / Humidity : 0% ~ 85% RH	
Dimension	TDC-712GSD5 : 80.0(Ø)x60.5(H)mm / TDC-712GFD5 : 88.0(Ø)x58.5(H)mm	
Weight	TDC-712GSD5 : Approx. 255g / TDC-712GFD5 : Approx. 190g	