

DOME CAMERA

TDM-3232HSD5, TDM-3232HFD5

MINI VANDAL DOME CAMERA



Surface Mount Type



Flush Mount Type

- FEATURES -

- 1/3" SONY DSP Super HAD High-Resolution B/W CCD
- 600TV Lines
- Built-in Fixed Board Lens 3.6mm (4/6/8/12mm : Option)
- Vandal Proof Dome Type
- IP-66 Weatherproof Type
- Extremely Low Power Consumption

* TDM-3232HXFD5 : EX-View 0.007Lux, Flush mount type

* TDM-3232HXS5 : EX-View 0.007Lux, Surface mount type



1/3 SONY DSP Super HAD CCD



B/W



Auto / IRIS



VANDAL PROOF



BOARD LENS

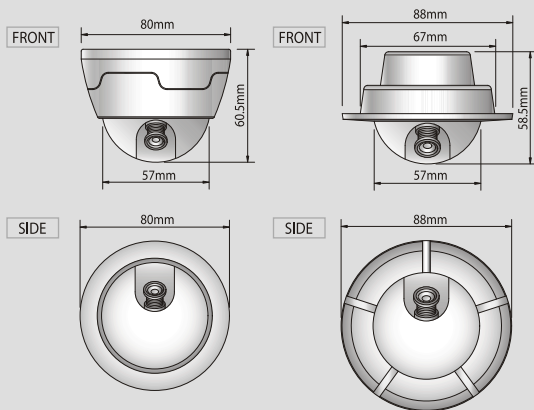


IP-66

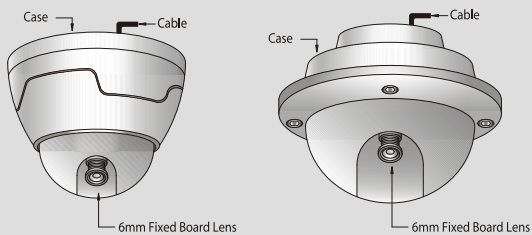


DC 12V

- DIMENSION -



- CONNECTION -



- SPECIFICATION -

TDM-3232HSD5 / TDM-3232HFD5		
Signal Format	EIA	CCIR
Horizontal Resolution	600TV Lines	
Image Sensor	1/3" SONY Super HAD B/W CCD	
Scanning System	525 lines interlaced	625 lines interlaced
Synchronization	Internal	
Video Output	Standard composite 1Vp-p composite video into 75Ω	
Min. Illumination	0.01Lux	
Signal to Noise Ratio	45dB or more	
Gamma	0.45	
AGC	On	
Input Voltage	DC 12V (±10%), 120mA	
Housing Material	Vandal Proof Dome	
Operating Temperature	-10°C to +50°C Deg C. RH 95% Max.	
Storage Temperature	-20°C to +60°C Deg C. RH 95% Max.	
Lens	Board Lens 3.6mm	
Lens option	Board Lens : 4 / 6 / 8 / 12mm	
Dimension & Weight	TDM-3232SD5 : 80(Φ) x 60.5(H)mm / 500g TDM-3232FD5 : 88(Φ) x 85.5(H)mm / 400g	