

DOME CAMERA

TDM-3232SD5, TDM-3232FD5

MINI VANDAL DOME CAMERA



Surface Mount Type



Flush Mount Type

- FEATURES -

- 1/3" SONY DSP Super HAD High-Resolution B/W CCD
- 420TV Lines
- Built-in Fixed Board Lens 3.6mm (4/6/8/12mm : Option)
- Vandal Proof Dome Type
- IP-66 Weatherproof Type
- Extremely Low Power Consumption

* TDM-3232XFD5 : EX-View 0.007Lux, Flush mount type

* TDM-3232XSD5 : EX-View 0.007Lux, Surface mount type



1/3 SONY DSP Super HAD CCD



B/W



Auto / IRIS



VANDAL PROOF



BOARD LENS

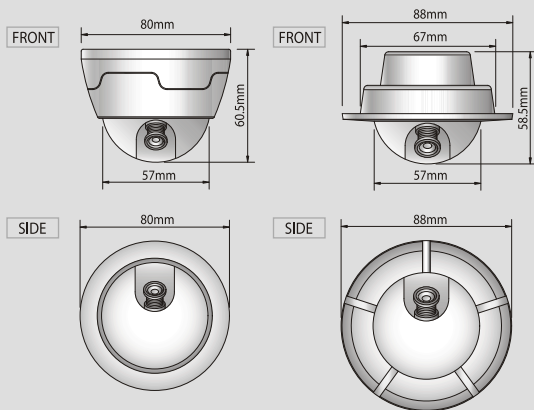


IP-66

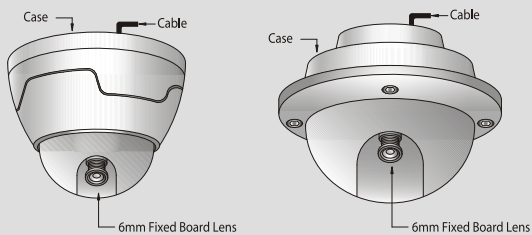


DC 12V

- DIMENSION -



- CONNECTION -



- SPECIFICATIONS -

| TDM-3232SD5 / TDM-3232FD5 | | |
|---------------------------|--|----------------------|
| Signal Format | EIA | CCIR |
| Horizontal Resolution | 600TV Lines | |
| Image Sensor | 1/3" SONY Super HAD B/W CCD | |
| Scanning System | 525 lines interlaced | 625 lines interlaced |
| Synchronization | Internal | |
| Video Output | Standard composite 1Vp-p composite video into 75Ω | |
| Min. Illumination | 0.01Lux | |
| Signal to Noise Ratio | 45dB or more | |
| Gamma | 0.45 | |
| AGC | On | |
| Input Voltage | DC 12V (±10%), 120mA | |
| Housing Material | Vandal Proof Dome | |
| Operating Temperature | -10°C to +50°C Deg C. RH 95% Max. | |
| Storage Temperature | -20°C to +60°C Deg C. RH 95% Max. | |
| Lens | Board Lens 3.6mm | |
| Lens option | Board Lens : 4 / 6 / 8 / 12mm | |
| Dimension & Weight | TDM-3232SD5 : 80(Φ) x 60.5(H)mm / 500g TDM-3232FD5 : 88(Φ) x 85.5(H)mm / 400g | |