

# TEC-236L2

## IP67/36 IR LED COLOR CAMERA



### IP67



#### - FEATURES -

- 1/3" SONY Super HAD CCD
- 420TV Lines Horizontal Resolution
- Day & Night
- 36pcs IR-LED for night vision (Day & Night)
- IP66 Weatherproof Type
- Visibility Range : 15-20m
- Fixed 6.0mm Lens
- Concealed Bracket (Cable Built in the bracket)



1/3 SONY SUPER HAD CCD



COLOR



6mm FIXED LENS



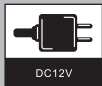
36pcs IR LED



DAY & NIGHT

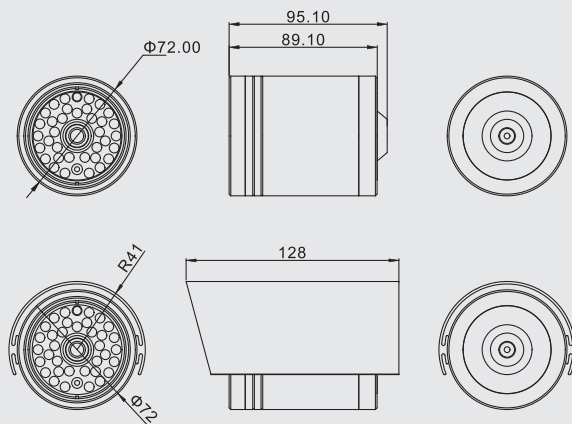


IP-67



DC12V

#### - DIMENSION -



#### - SPECIFICATIONS -

TEC-236L2		
Signal Format	NTSC	PAL
Horizontal Resolution	420TV Lines	
Image Sensor	1/3" SONY Super HAD CCD	
Effective Pixels	510(H) x 492(V)	500(H) x 582(V)
Scanning System	2:1 Interlace	
Synchronization	Internal	
Scanning Frequency	15,734Khz(H), 59.94Hz(V)	15,625Khz(H), 50Hz(V)
Video Output	CVBS : 1.0Vp-p/75Ω	
Min. Illumination	LED Off : 0.3Lux, LED On : 0Lux	
Electronic Shutter	1/60 ~ 1/100,000 sec	1/50 ~ 1/100,000 sec
IRIS Control	Manual	
Signal to Noise Ratio	50dB (AGC Off)	
White Balance	Auto	
Gain Control	Auto	
Gamma	0.45	
Input Voltage	DC 12V (±10%)	
Power Consumption	LED On : Max. 5.2W / LED Off : Max 1.3W	
Operating Temp / Hum	-10°C to +60°C / 30% to 80% RH	
Storage Temp / Hum	-20°C to +70°C / 20% to 90% RH	
Lens	Fixed Lens : 6mm	
Dimension	Φ72.0 x 128.0(D)mm	
Weight	Approx. 328g	