

TEC-288L

IP66/88 IR LED COLOR CAMERA



IP66



- FEATURES -

- 1/3" SONY Super HAD CCD
- 420TV Lines
- Day & Night
- 88pcs IR-LED for night vision (Day & Night)
- IP66 Weatherproof Type
- Visibility Range : 50-60m
- Fixed 16.0mm Lens
- Concealed Bracket (Cable Built in the bracket)



1/3 SONY DSP Super HAD CCD



COLOR



DAY & NIGHT



16.0mm Board Lens



88pcs IR LED

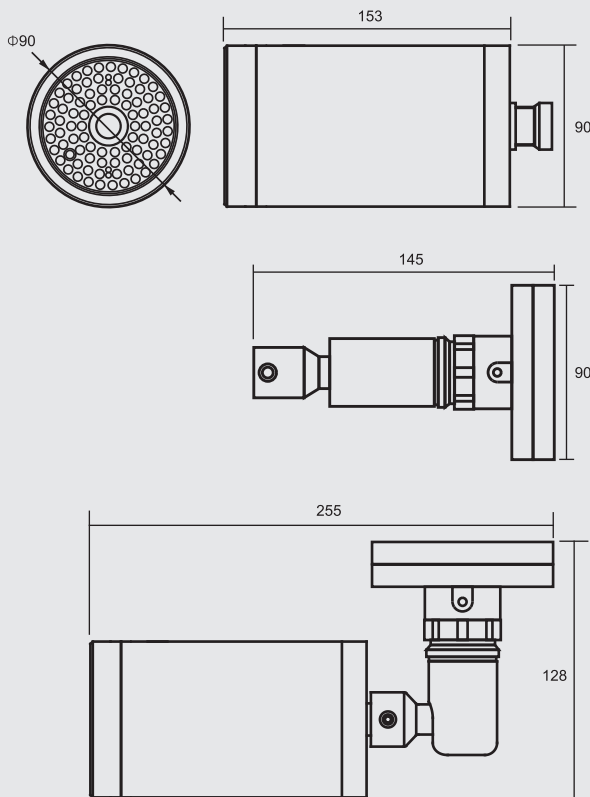


IP-66



DC 12V

- DIMENSION -



- SPECIFICATIONS -

Model	TEC-288L	
Signal Format	NTSC	PAL
Horizontal Resolution	420TV Lines	
Pick-up Device	1/3" SONY Super HAD CCD	
Scanning System	525 lines interlaced	625 lines interlaced
Synchronization	Internal	
Output signal	Standard composite 1Vp-p composite video into 75Ω	
Min. Illumination	Day (3Lux), Night (0.00Lux, IR LED On)	
Signal to Noise Ratio	45 dB or more (AGC off)	
Gamma	0.45	
AGC	On	
Input Voltage	DC 12V ±10%	
Power Consumption	IR LED OFF : Max 1.8W or less IR LED ON : Max 11.0W or less,	
Operating Temperature	-10° to +55°C	
Storage Temperature	-20° to +70°C	
Operating humidity	Under 90% Non-condensing	
Storage humidity	Under 90% Non-condensing	
Lens	Fixed focal : 16.0mm	
Dimension	Φ90.0 x 153.0(D)	