

IR LED CAMERA

TEC-S30QS2

IP66/30 IR LED COLOR CAMERA



IP66



- FEATURES -

- 1/3" SONY High-Resolution Super HAD CCD
- Color 580TV Lines, B/W 700TV Lines
- Excellent Low Light Sensitivity of 0.15Lux/F1.5 (LED Off)
- Sens-up x2 ~ x256 (Color : 0.0006Lux, B/W : 0.000004Lux)
- 30pcs IR-LED for night vision (0 Lux)
- True Day & Night : ICR Lens 2.8~11.0mm
- 3D DNR : Digital Noise Reduction
- HLC : High Light Compensation
- DIS : Digital Image Stabilizer
- x10 Digital zoom
- OSD menu control by remote control
Language : NTSC (English, Spanish, Japanese, Korean)
PAL (English, French, German, Spanish, Italian, Chinese, Korean)
- IP66
- Visibility Range : 25~30m



1/3 SONY DSP Super HAD CCD



Color



FILTER SWITCHING MECHANISM



Day & Night



3D-DIGITAL NOISE REDUCTION



Sens-up 0.000004Lux



30pcs IR LED



2.8-11.0mm VARI-FOCAL LENS

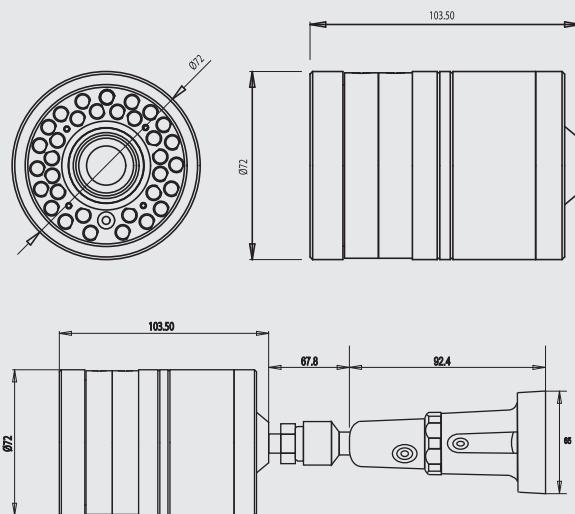


IP 66

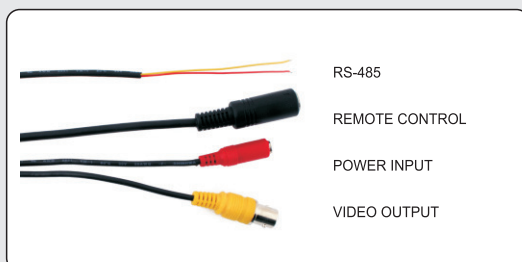


DC 12V

- DIMENSION -



- CABLE CONNECTION -



- SPECIFICATIONS -

TEC-S30QS2		
Signal Format	NTSC	PAL
Horizontal Resolution	Color : 580TV Lines, B/W : 700TV Lines	
Image Sensor	1/3" SONY High-Resolution Super HAD CCD II	
Effective Pixels	768(H) x 494(V)	752(H) x 582(V)
Scanning System	2:1 Interlace	
Synchronization	Internal	
Scanning Frequency	15.734 KHz(H), 59.94 Hz(V)	15.625 KHz(H), 50.00 Hz(V)
Video Output	CVBS : 1.0Vp-p/75Ω	
Min. Illumination	LED OFF : 0.15Lux(Color), 0.0006Lux(Sens-up), LED ON : 0Lux LED OFF : 0.001Lux(B/W), 0.000004Lux(Sens-up), LED ON : 0Lux	
Electronic Shutter	1/60 ~ 1/120,000 sec	1/50 ~ 1/120,000 sec
IRIS Control	DC / VIDEO / MANUAL	
Signal to Noise Ratio	52dB (AGC Off, Weight On)	
Backlight Compensation	BLC / HLC / OFF Selectable	
White Balance	ATW / AWB / MANUAL / OUTDOOR (1,800°K ~ 10,500°K) INDOOR (4,500°K ~ 8,500°K)	
Gain Control	LOW / HIGH / OFF Selectable	
DNR	ON / OFF Selectable	
Day & Night	COLOR / Black&White / AUTO / EXT	
Sens-up	AUTO / FIXED / OFF (Selectable x2 ~ x256)	
DIS	Digital Image Stabilizer ON / OFF	
Digital Zoom	ON / OFF (x10 zoom)	
Privacy	ON / OFF (8 Zone)	
Mirror (H-REV)	ON / OFF	
Flip (V-REV)	ON / OFF	
Rotate	ON / OFF	
Freeze	ON / OFF	
Sharpness	ON / OFF (Level Adjustable)	
OSD	English, French, German, Italian, Spanish, Japanese, Chinese, Korean	
Lens	ICR DC Varifocal Lens : F=2.8~11.0mm	
Input Voltage	DC 12V (±10%)	
Power Consumption	LED OFF : Max 2.4W, LED ON : Max. 6.0W	
Operating Temp / Hum	-10°C to +50°C / 30% to 90% RH	
Storage Temp / Hum	-20°C to +60°C / 20% to 100% RH	
Dimension	72(Φ) x 103.5(D) mm	
Weight	Approx. 750g	