

TEC-Z1072

IP-66, 72PCS IR LED ZOOM CAMERA



IP 66

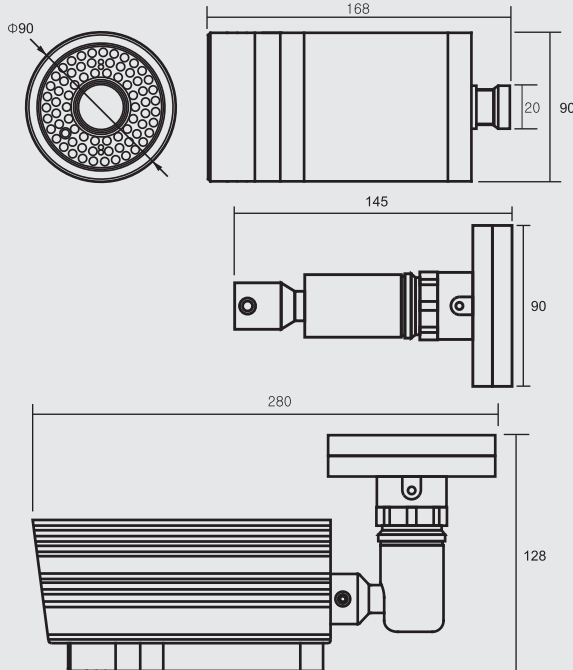


- FEATURES -

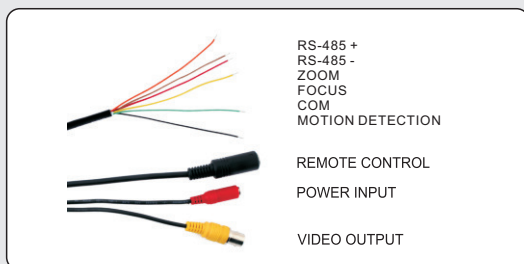
- High Sensitive 1/4" Super HAD CCD
- Color 550TV Lines, B/W 600TV Lines
- Excellent Low Light Sensitivity of 0.02Lux/F1.5 (LED Off)
- Sens-up x128 : 0.003Lux
- 72pcs IR-LED for night vision (0 Lux)
- True Day & Night
- DNR : Digital Noise Reduction
- PELCO-D Protocol included
- RS-485 Supported
- High Durability Built-In x10 Optical Power Zoom
- x10 Digital zoom (Total x100 zoom)
- OSD menu control by remote control
- IP 66 System
- Visibility Range : 40~50m
- Wired Remote Controller (10M option)



- BRACKET -



- CABLE CONNECTION -



- SPECIFICATIONS -

TEC-Z1072		
Signal Format	NTSC	PAL
Image Sensor	1/4" Interline Transfer CCD	
Total Pixels	811(H) x 508(V)	795(H) x 596(V)
Effective Pixels	768(H) x 494(V)	752(H) x 582(V)
Optics Lens	10X, f=3.8 to 38.0mm (F1.8)	
Min. Focus Distance	1000mm	
D. Zoom	OFF / ON (x2 ~ x10)	
Angle Field of view	H : Appr. 51.2° (Wide) to 5.58° (Tele) / V : Appr. 39.3° (Wide) to 4.27° (Tele)	
Scanning System	2:1 Interlace	
Synchronization	Internal	
Frequency	15.734 KHz(H) / 59.94 Hz(V)	15.625 KHz(H) / 50.00 Hz(V)
Resolution	Color (Wide) : 550 TV Lines (Min.), B/W (Wide) : 600 TV Lines (Min.)	
Min. Illumination	LED Off : Color : 0.7Lux, B/W : 0.02Lux, LED On : 0Lux	
S/N (Y signal)	50dB (AGC Off, Weight On)	
Video Output	CVBS : 1.0Vp-p/75Ω	
Focus	AUTO / MANUAL / ONE-PUSH	
Zoom Movement Speed	1.67 sec : Wide to Tele	1.75 sec : Wide to Tele
IRIS Control	AUTO / MANUAL	
Camera Title	ON / OFF (Displayed 15 characters)	
Camera ID	255 ID Selectable	
Day & Night	AUTO 1 / AUTO 2 / COLOR / BW (ICR)	
Gain Control	NORMAL / HIGH / OFF Selectable	
White Balance	ATW / AWC / MANUAL (1,800°K~10,500°K)	
Backlight Compensation	LOW / MIDDLE / HIGH / OFF Selectable	
Electronic Shutter Speed	Auto (x128~1/60sec~1/20,000sec) Sens-up and Sens-up Limit is selectable Flickerless	Auto (x128~1/50sec~1/20,000sec) Sens-up and Sens-up Limit is selectable Flickerless
OSD	Built-in	
Motion Detection	ON / OFF (4 Programmable Zone per Screen)	
Control Output	RS-485 or RS-232C (2400, 4800, 9600, 19200, 38400, 57600 bps)	
SSNR	LOW / MIDDLE / HIGH / OFF	
Privacy	ON / OFF (32Zones, It consists of 8Group 4Programmable Zone per Screen)	
Flip	Vertical, Horizontal, Vertical-Horizontal, OFF Selectable	
Preset	8 Positions (Store with Internal EEPROM)	
Input Voltage	DC 12V (±10%)	
Power Consumption	LED OFF : Max 4.5W (Zoom, Focus, Day & Night motor operating) LED ON : Max 11.7W (Zoom, Focus, Day & Night motor operating)	
Operating Temperature/Humidity	-10°C to +50°C / 20% to 80% RH	
Storage Temperature/Humidity	-20°C to +60°C / 20% to 95% RH	
Dimension	90(Φ) x 168(D)mm	
Weight	Approx. 1.5Kg	