

# TEM-S30HV

## IP66 30PCS IR LED B/W CAMERA



### IP66



#### - FEATURES -

- 1/3" SONY DSP Super HAD High-Resolution B/W CCD
- 600TV Lines Horizontal Resolution
- 30pcs IR LED for night vision
- Visibility Range : 25~30m
- Varifocal Lens : 4.0~9.0mm/F1.6
- IP 66 Weatherproof Type
- Adjustable Lens without opening case
- Concealed Bracket (Cable Built in the bracket)



1/3 SONY DSP Super HAD CCD



B/W



4.0~9.0mm VARI-FOCAL LENS



30pcs IR LED

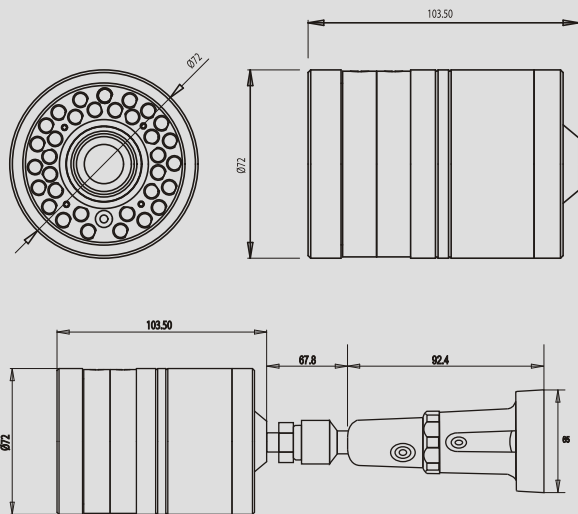


IP-66



DC 12V

#### - DIMENSION -



#### - Cable located in the bracket -



#### - SPECIFICATIONS -

TEM-S30HV		
Signal Format	EIA	CCIR
Horizontal Resolution	600TV Lines	
Image Sensor	1/3" SONY DSP Super HAD B/W CCD	
Scanning System	525 lines interlaced	625 lines interlaced
Synchronization	Internal	
Video Output	CVBS : 1.0Vp-p/75Ω	
Min. Illumination	3Lux IR LED On	
Signal to Noise Ratio	45 dB or more (AGC Off)	
Gamma	0.45	
AGC	On	
Input Voltage	DC 12V (±10%)	
Power Consumption	IR LED OFF : Max 2.0W or less IR LED ON : Max 10.0W or less	
Operating Temperature	-10°C to +55°C	
Storage Temperature	-20°C to +70°C	
Operating Humidity	Under 90% Non-condensing	
Storage Humidity	Under 90% Non-condensing	
Lens	DC Varifocal Lens : 4.0~9.0mm/F1.6	
Dimension	72(Φ) x 103.5(H)mm	
Weight	700g	