

TEM-S30HV

IP66/30 IR LED B/W CAMERA



IP66



- FEATURES -

- 1/3" SONY DSP Super HAD High-Resolution B/W CCD
- 600TV Lines Horizontal Resolution
- 30pcs IR LED for night vision
- Visibility Range : 25~30m
- Varifocal Lens : 4.0~9.0mm/F1.6
- IP66 Weatherproof Type
- Adjustable Lens without opening case
- Concealed Bracket (Cable Built in the bracket)



1/3 SONY DSP Super HAD CCD



B/W



4.0~9.0mm VARI-FOCAL LENS



30pcs IR LED

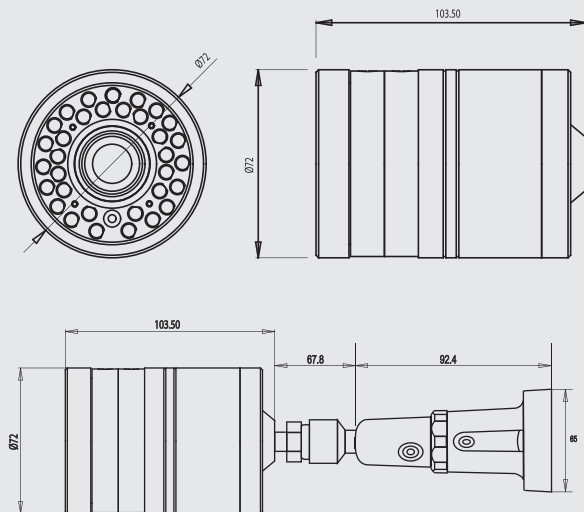


IP-66

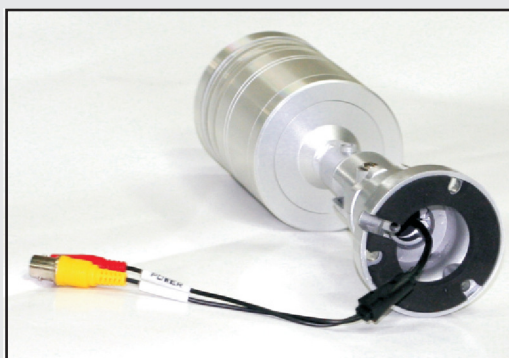


DC 12V

- DIMENSION -



- CABLE LOCATED IN THE BRACKET -



- SPECIFICATIONS -

| TEM-S30HV | | |
|-----------------------|--|----------------------|
| Signal Format | EIA | CCIR |
| Horizontal Resolution | 600TV Lines | |
| Image Sensor | 1/3" SONY DSP Super HAD B/W CCD | |
| Scanning System | 525 lines interlaced | 625 lines interlaced |
| Synchronization | Internal | |
| Video Output | CVBS : 1.0Vp-p/75Ω | |
| Min. Illumination | 3Lux IR LED On | |
| Signal to Noise Ratio | 45 dB or more (AGC Off) | |
| Gamma | 0.45 | |
| AGC | On | |
| Input Voltage | DC 12V (±10%) | |
| Power Consumption | IR LED OFF : Max 2.0W or less IR LED ON : Max 10.0W or less | |
| Operating Temperature | -10°C to +55°C | |
| Storage Temperature | -20°C to +70°C | |
| Operating Humidity | Under 90% Non-condensing | |
| Storage Humidity | Under 90% Non-condensing | |
| Lens | DC Varifocal Lens : 4.0~9.0mm/F1.6 | |
| Dimension | 72(Φ) x 103.5(H)mm | |
| Weight | 700g | |