

COVERT CAMERA

THC-3238S

COVERT CCTV CAMERA



- FEATURES -

- 1/3" SONY DSP Super HAD CCD
- 380TV Lines Horizontal Resolution
- Excellent Low Light Sensitivity of 0.3Lux/F2.0
- 42x42mm One Board
- Conical Pinhole Lens 3.3mm / Angle View 130°



1/3 SONY DSP Super HAD CCD



COLOR



COVERT



Auto / IRIS

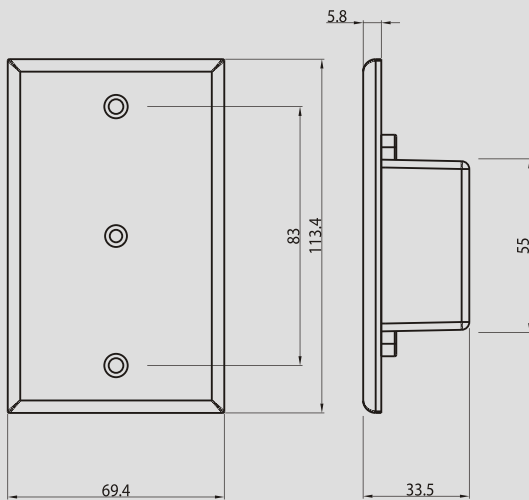


Flickerless



DC 12V

- DIMENSION -



- SPECIFICATION -

THC-3238S		
Signal Format	NTSC	PAL
Horizontal Resolution	380TV Lines	
Image Sensor	1/3" SONY DSP Super HAD CCD	
Scanning System	525 lines interlaced	625 lines interlaced
Synchronization	Internal	
Video Output	CVBS : 1.0Vp-p/75Ω	
Min. Illumination	0.3Lux/F1.2	
Electronic shutter	1/60 ~ 1/100,000 sec	1/50 ~ 1/100,000 sec
Signal to Noise Ratio	45dB or more (AGC Off)	
Gamma	0.45	
AGC	On	
Lens	Conical Pinhole Lens 3.3mm / Angle View 130°	
Input Voltage	DC 12V (±10%)	
Power Consumption	Max. 140mA	
Operating Temperature	-10°C to +55°C	
Storage Temperature	-20°C to +70°C	
Operating Humidity	Under 90% Non-condensing	
Storage Humidity	Under 90% Non-condensing	
Dimension	69.4(W) x 113.4(H) x 33.5(D)mm	
Weight	76g	