

COVERT CAMERA

THC-3242HQS

COVERT CCTV CAMERA



- FEATURES -

- 1/3" SONY DSP Super HAD High-Resolution CCD
- 550TV Lines Horizontal Resolution
- 0.3Lux/F1.2 (50IRE), 0.002Lux (Sens-up x0 ~ x128)
- Auto Day & Night On/Off
- DNR : Digital Noise Reduction
- OSD menu control by push button
- Conical Pinhole Lens 3.3mm / Angle View 130°



1/3 SONY DSP Super HAD CCD



COLOR



COVERT



Day & Night



Sens-up 0.004Lux



Electronic shutter



DNR Digital Noise Reduction



Auto / IRIS

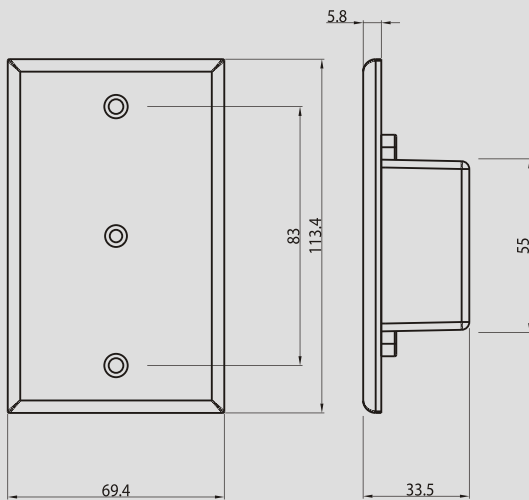


Flickerless



DC 12V

- DIMENSION -



- SPECIFICATION -

THC-3242HQS		
Signal Format	NTSC	PAL
Horizontal Resolution	550TV lines	
Image Sensor	1/3" SONY DSP Super HAD High-Resolution CCD	
Effective Pixels	811(H) x 508(V)	768(H) x 494(V)
Scanning System	2:1 Interlace	
Scanning Frequency	15.734KHz(H), 59.94(V)	15.625KHz(H), 50.00(V)
Synchronization	Internal	
Video Output	CVBS : 1.0Vp-p/75 (Dual Output)	
Min. Illumination	Color : 0.3Lux/F1.2(50IRE), Sense-up : 0.002Lux/F1.2(50IRE)	
Electronic Shutter	1/60 ~ 1/120,000 sec	1/50 ~ 1/120,000 sec
Signal to Noise Ratio	50 dB (AGC Off, Weight On) Confirm the E/S step	
Day & Night	ON / AUTO	
Backlight Compensation	LOW / MIDDLE / HIGH / OFF	
White Balance	ATW / AWC / MANUAL (1,800°K ~ 10,500°K)	
Gain Control	LOW / MIDDLE / HIGH / OFF	
DNR	LOW / MIDDLE / HIGH / OFF	
Camera Title	OFF / ON (Displayed 15 Characters)	
Motion Detection	ON / OFF (4 Programmable Zone per Screen)	
Privacy	ON / OFF (4 Programmable Zone per Screen)	
OSD	Built-in	
Input Voltage	DC 12V (±10%)	
Power Consumption	Max. 2.0W	
Operating Temp/Hum	-10°C to +50°C / 20% to 80% RH	
Storage Temp/Hum	-20°C to +60°C / 20% to 90% RH	
Dimension	69.4(W) x 113.4(H) x 33.5(D) mm	
Weight	78g	