

DOME CAMERA

ZVC-3238S, ZVC-3238H

Φ80 HI-RESOLUTION DOME CAMERA



- FEATURES -

- 1/3" SONY DSP Super HAD CCD
- ZVC-3238H : 480TV Lines 0.5Lux/F2.0
- ZVC-3238S : 380TV Lines 0.5Lux/F2.0
- Automatic Gain Control
- Electronic Shutter
- Dome size : Φ80mm

* ZVC-3238Q : 550TV Lines, 0.3Lux/F2.0

Option

- Wall Mount Bracket : MBR-300WM



1/3 SONY DSP Super HAD CCD



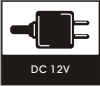
COLOR



BOARD LENS

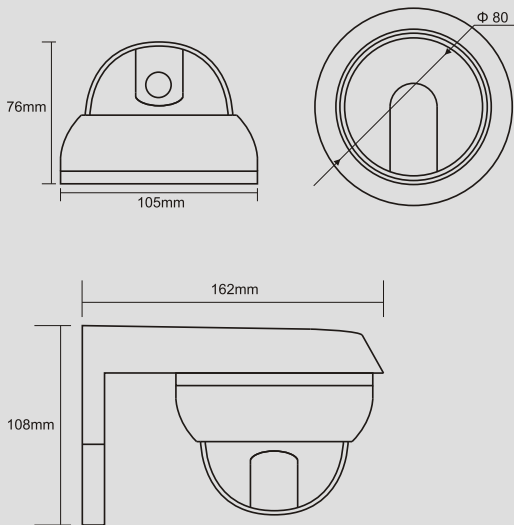


Auto / IRIS



DC 12V

- DIMENSION -



- WALL MOUNT BRACKET -



- SPECIFICATION -

ZVC-3238S / ZVC-3238H		
Signal Format	NTSC	PAL
Horizontal Resolution	380 / 480 / 550 TV Lines	
Image Sensor	1/3" SONY DSP Super HAD CCD	
Scanning System	525 lines interlaced	625 lines interlaced
Synchronization	Internal	
Video Output	Standard composite 1Vp-p composite video into 75Ω	
Min. Illumination	0.5(ZVC-3238SD3)Lux / 0.3(ZVC-3238HD3)Lux	
Signal to Noise Ratio	45dB or more (AGC Off)	
Gamma	0.45	
AGC	On	
Input Voltage	DC 12V (±10%), 1.8W	
Housing Material	Metal	
Operating Temperature	-10°C to +55°C	
Operating Humidity	Under 85% Non-condensing	
Lens	Board Lens 3.7mm/F2.0	
Dimension	105(Φ) x 76(H)mm	
Weight	360g, W/Bracket : 720g	
Option	Wall Mount Bracket (MBR-300WM)	