

DOME CAMERA

ZVC-3242HQ

Φ80 MINI DOME CAMERA



- FEATURES -

- 1/3" SONY High-Resolution Super HAD CCD
- 550TV Lines Horizontal Resolution
- Min. Illumination : 0.1Lux
- Auto White Balance
- Vandal Proof Dome Housing
- Dome size : Φ80mm

Option

- Wall Mount Bracket : MBR-300WM



1/3 SONY
SUPER HAD CCD



COLOR



DAY & NIGHT



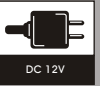
VERI-FOCAL LENS



AUTO-IRIS

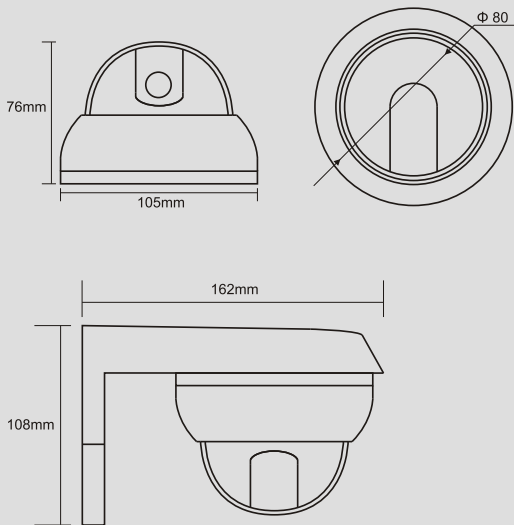


VANDAL PROOF



DC 12V

- DIMENSION -



- WALL MOUNT BRACKET -



MBR-300WM

- SPECIFICATION -

ZVC-3242HQ		
Signal Format	NTSC	PAL
Horizontal Resolution	550TV Lines	
Image Sensor	1/3" SONY High-Resolution Super HAD CCD	
Scanning System	2:1 Interlace	
Synchronization	Internal	
Video Output	CVBS : 1.0Vp-p/75Ω	
Min. Illumination	0.1Lux (B/W)	
Electronic Shutter	1/60 ~ 1/100,000 sec	1/50 ~ 1/100,000 sec
Signal to Noise Ratio	45dB or more (AGC Off)	
Backlight Compensation	ON / OFF	
White Balance	AUTO	
Gain Control	AUTO	
Gamma	0.45	
Flickerless	ON / OFF	
Input Voltage	DC 12V (±10%)	
Power Consumption	Max. 2.0W	
Housing Material	Vandal Proof Dome	
Operating Temp/Hum	-10°C to +55°C / Under 85% Non-condensing	
Storage Temp/Hum	-20°C to +70°C / Under 90% Non-condensing	
Dimension	105(Φ) x 76(H)mm	
Weight	Approx. 360g, W/Bracket : 720g	
Option	3-AXIS Bracket, AC 24V / DC 12V (Dual Voltage)	