

DOME CAMERA

ZVC-512S3

Ø80/SSNR/3D-DNR MINI DOME CAMERA



- FEATURES -

- 1/3" SONY High-Resolution Super HAD II CCD
- 600TV Lines Horizontal resolution
- Excellent low light sensitivity of 0.15Lux/F1.2
- Sens-up : x512 (0.0003Lux/F1.2)
- Day & Night
- SSSDR : Digital super dynamic range (x128)
- 2D+3D DNR : Digital super noise reduction
- HLC : High-light compensation
- DIS : Digital image stabilizer
- x16 Digital zoom
- Motion detection : 8 Zone
- Privacy : 12 Zone
- RS-485 Communication (Pelco-D/P)
- OSD Menu Control by Push Button
- Board Lens f=3.6mm
- Vandal Proof Dome Housing



1/3 SONY
SUPER HAD II CCD



DAY & NIGHT



SSDR
DIGITAL SUPER
DYNAMIC RANGE



2D+3D
DNR
DIGITAL NOISE
REDUCTION



SENS-UP
SENS-UP
0.0003 Lux



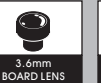
HLC
HIGH-LIGHT
COMPENSATION



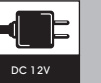
DIS
DIGITAL
IMAGE STABILIZER



VANDAL PROOF

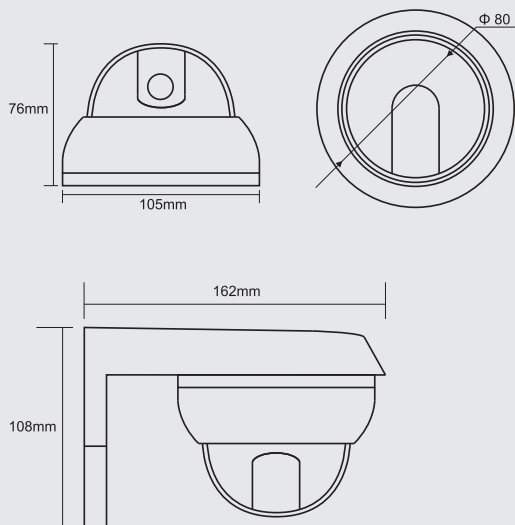


3.6mm
BOARD LENS



DC 12V

- DIMENSION -



- WALL MOUNT BRACKET -



MBR-300WM

- SPECIFICATIONS -

ZVC-512S3		
Signal Format	NTSC	PAL
Horizontal Resolution	600TV Lines	
Image Sensor	1/3" SONY High-Resolution Super HAD II CCD	
Total Pixels	811(H) x 508(V)	795(H) x 596(V)
Effective Pixels	768(H) x 494(V)	752(H) x 582(V)
Scanning System	2:1 Interlace	
Synchronization	Internal	
Scanning Frequency	15.734 KHz(H), 59.94 Hz(V)	15.625 KHz(H), 50.00 Hz(V)
Video Output	CVBS : 1.0Vp-p/75Ω	
Min. Illumination	0.15Lux/F1.2, Sens-up : 0.0003Lux	
Electronic Shutter Speed	1/60 ~ 1/120,000 sec	1/50 ~ 1/120,000 sec
Iris Control	Manual	
Signal to Noise Ratio	52dB (AGC Off, Weight : On)	
Backlight Compensation	BLC / HLC / OFF	
White Balance	ATW / OUTDOOR / INDOOR / MANUAL / AWC (1,700°K ~ 11,000°K)	
Gain Control	LOW / HIGH / OFF	
2D + 3D DNR	ON / OFF (Level Adjustable)	
Day & Night	COLOR / BW(ICR) / AUTO	
Sens-up	AUTO / OFF (x2 ~ x512)	
SSDR	ON / OFF (Level Adjustable)	
Digital Image Stabilizer	ON / OFF	
Digital Zoom	ON / OFF (x1 ~ x16)	
Motion Detection	ON / OFF (8 Zone)	
Privacy	ON / OFF (12 Zone)	
Flip / Mirror	ON / OFF	
Sharpness	ON / OFF (Level Adjustable)	
Camera Title	ON / OFF (Displayed 15 Characters)	
Communication	RS-485 (Protocol : Pelco D, Pelco P)	
OSD	Built-in (Kor, Jap, Tai, Eng, Fre, Spa, Por, Ger, Ita, Chi, Rus, Cze, Pol, Rom, Ser, Swe, Dan, Tur)	
Lens	Board Lens f=3.6mm	
Input Voltage	DC 12V (±10%)	
Power Consumption	Max. 2.0W	
Operating Temp/Hum	Temperature : -10°C ~ +50°C / Humidity : 30% ~ 80% RH	
Storage Temp/Hum	Temperature : -10°C ~ +50°C / Humidity : 30% ~ 80% RH	
Dimension	105(Ø) x 76(H)mm	
Weight	Approx. 360g	