

## DOME CAMERA

# ZVC-612S

## Φ80 WDR MINI VANDAL DOME CAMERA

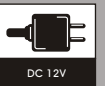


### - FEATURES -

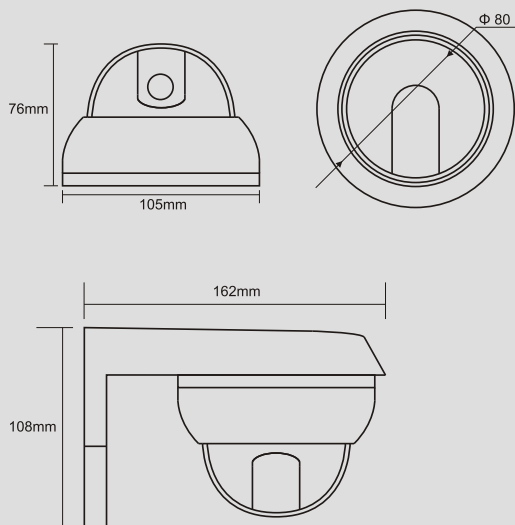
- 1/3" SONY Double Scan CCD
- High resolution up to 560TVL equivalent B/W 700TV Lines
- Low light sensitivity 0.2Lux/F1.2 (Color), 0.01Lux/F1.2 (B/W), 0.0001Lux/F1.2 (Sens-up mode)
- Super WDR : Wide Dynamic Range
- DNR : Digital Noise Reduction
- DIS : Digital Image Stabilizer
- Motion Detection (8 Zone, Alarm Output)
- OSD Function
- Additional Functions
  - SYNC(INT), SENS-UP(x256), D.ZOOM, SHARPNESS, FREEZE, FLIP(H/V-REV), PRIVACY
- Dome size : Φ80mm

### Option

- Wall Mount Bracket : MBR-300WM



### - DIMENSION -



### - SPECIFICATION -

ZVC-612S		
Signal Format	NTSC	PAL
Horizontal Resolution	Color : 560TV Lines, B/W : 700TV Lines	
Image Sensor	1/3" SONY Double Scan CCD	
Scanning Frequency	15.734KHz(H), 59.94(V)	15.625KHz(H), 50.00(V)
Synchronization	Internal	
Video Output	Standard composite 1Vp-p composite video into 75Ω	
Min. Illumination	Color : 0.2Lux/F1.2, B/W : 0.01Lux/F1.2, Sens-up : 0.0001LuxF1.2	
Electronic Shutter	1/60 ~ 1/100,000 sec Auto	1/50 ~ 1/100,000 sec Auto
Signal to Noise Ratio	52dB (AGC Off, Weight On)	
Backlight Compensation	WDR / BLC / OFF Selectable	
White Balance	ATW / AWC / MANUAL / Outdoor(1,800°K~10,500°K) Indoor(4,500°K~8,500°K)	
Wide Dynamic Range	52dB	
Sense-up	AUTO / OFF (selectable x2 ~ x256)	
Gain control	LOW / HIGH / OFF Selectable	
DNR	ON / OFF (1~32 Level Adjustable)	
Motion Detection	ON / OFF (8 Zone, ALARM Output)	
Privacy	ON / OFF (8 Zone)	
Mirror (H-REV)	ON / OFF	
Flip (V-REV)	ON / OFF	
Freeze	ON / OFF	
Sharpness	ON / OFF (Level Adjustable)	
D&N Selection	COLOR / BLACK & WHITE / AUTO / EXT	
DIS	ON / OFF	
Digital Zoom	ON (x2 ~ x10) / OFF	
OSD	Built-in (Korean, English, Japanese)	
Blemish Compensation	256 point (Even 128 Point, ODD 128 Point)	
IRIS Control	DC / VIDEO	
Power Source	DC 12V (±10%)	
Power Consumption	Max. 2.4W	
Housing Material	Vandal Proof Dome	
Lens	Board Lens	
Operating Temp/Hum	-10°C to +50°C / 30% to 80% RH	
Storage Temp/Hum	-20°C to +60°C / 20% to 90% RH	
Dimension	105(Φ) x 76(H) mm	
Weight	Approx. 360g, W/Bracket : 720g	
Option	MBR-300WM	

### - WALL MOUNT BRACKET -



MBR-300WM