

# MODULE CAMERA

## TCC-3242HQS MODULE CAMERA



### - FEATURES -

- 1/3" SONY High-Resolution Super HAD CCD
- 42x42mm Size One Board Camera
- 550TV Lines Horizontal Resolution
- Excellent Low Light Sensitivity of 0.3Lux/F1.2 (50IRE), 0.002Lux (Sens-up, x128)
- Auto Day & Night On/Off
- DNR : Digital Noise Reduction

### Option

- OSD menu control board



1/3 SONY SUPER HAD CCD



COLOR



DNR DIGITAL NOISE REDUCTION



SENS-UP 0.002 Lux



DAY & NIGHT



BOARD LENS

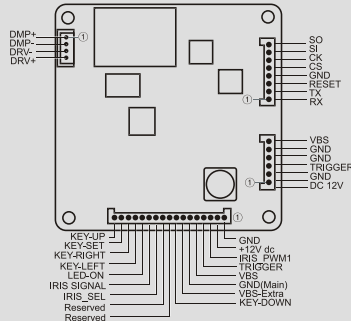
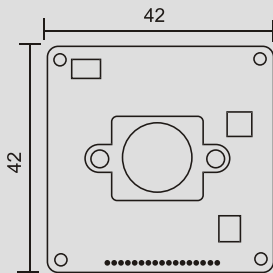


VARIFOCAAL LENS



DC 12V

### - DIMENSION -



### - SPECIFICATIONS -

TCC-3242HQS		
Signal Format	NTSC	PAL
Resolution	Color : 550TV Lines, B/W : 600TV Lines	
Image Sensor	1/3" SONY High-Resolution Super HAD CCD	
Effective Pixels	768(H) x 494(V)	752(H) x 582(V)
Scanning System	2:1 Interlace	
Synchronization	Internal	
Scanning Frequency	15.734 Khz(H), 59.94 Hz(V)	15.625 Khz(H), 50.00 Hz(V)
Video Output	CVBS : 1.0Vp-p/75	
Min. Illumination	Color : 0.3Lux/F1.2, B/W : 0.3Lux/F1.2, Sens-up : 0.002Lux/F1.2	
Electronic Shutter	1/60 ~ 1/120,000 sec	1/50 ~ 1/120,000 sec
IRIS Control	DC / MANUAL	
Signal to Noise Ratio	50dB (AGC Off, Weight On)	
Backlight Compensation	LOW / MIDDLE / HIGH / OFF Selectable	
White Balance	ATW / AWC / MANUAL (1,800°K ~ 10,500°K)	
Gain Control	LOW / MIDDLE / HIGH / OFF Selectable	
DNR	LOW / MIDDLE / HIGH / OFF Selectable	
Day & Night	AUTO / ON	
Sens-up	AUTO / OFF (Selectable x2 ~ x128)	
Motion Detection	ON / OFF (4 Zone)	
Privacy	ON / OFF (4 Zone)	
Mirror	ON / OFF	
Sharpness	ON / OFF (Level Adjustable)	
OSD	Built-in	
Input Voltage	DC 12V (±10%)	
Power Consumption	Max. 2.0W	
Operating Temp/Hum	-10°C to +50°C / 30% to 80% RH	
Storage Temp/Hum	-20°C to +60°C / 20% to 90% RH	
Dimension	42(H) x 42(V) x 1.0(T)mm	
Weight	Approx. 12g	