

COVERT CAMERA

THC-312SP

SENSOR DETECTOR HIDDEN CAMERA



- FEATURES -

- 1/3" SONY Super HAD CCD
- 380TV Lines
- Low Illumination 0.3Lux
- Con Pinhole Lens f=4.3mm

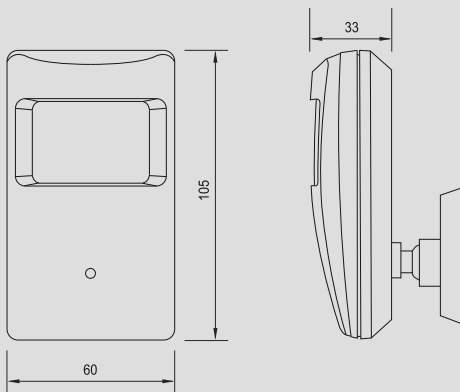


1/3 SONY
SUPER HAD CCD

COLOR

DC 12V

- DIMENSION -



- SPECIFICATIONS -

THC-312SP		
Signal Format	NTSC	PAL
Horizontal Resolution	380TV Lines	
Image Sensor	1/3" SONY Super HAD CCD	
Effective Pixels	510(H) x 492(V)	500(H) x 582(V)
Scanning System	2:1 Interlace	
Synchronization	Internal	
Scanning Frequency	15.734 Khz(H), 59.94 Hz(V)	15.625 Khz(H), 50.00 Hz(V)
Video Output	CVBS : 1.0Vp-p/75Ω	
Min. Illumination	0.3Lux/F1.2	
Electronic shutter	1/60 ~ 1/100,000 sec	1/50 ~ 1/100,000 sec
Signal to Noise Ratio	48dB or more (AGC Off)	
White Balance	AUTO	
Gain Control	AUTO	
Gamma	0.45	
Lens	Con Pinhole Lens f=4.3mm	
Input Voltage	DC 12V (±10%)	
Power Consumption	Max. 1.1W	
Operating Temp/Hum	-10°C to +55°C / Under 85% Non-condensing	
Storage Temp/Hum	-20°C to +70°C / Under 90% Non-condensing	
Dimension	60(W) x 105(H) x 33(D)mm	