

ZOOM CAMERA

TZH-1001

X10 OPTICAL POWER ZOOM CAMERA



- FEATURES -

- High Sensitive 1/4" Super HAD CCD
- Color 550 TV Lines at center / B/W 600TV Lines
- Min. Illumination :
Color 0.7Lux, B/W 0.1Lux, Sens-up 0.0007Lux
- Built in Auto Focus / Auto Iris
- OSD (On Screen Display)
- Sens-up x128
- High Durability Built In x10 Optical Power Zoom
- x10 Digital Zoom (Total : x100 Zoom)
- DNR (SSNR) : Digital, Noise, Reduction
- PELCO-D Protocol included
- RS-485 Supported
- Wired Remote Controller (10m optional)



1/4 SONY DSP
SUPER HAD CCD



COLOR



X10 OPTICAL
POWER ZOOM LENS



DAY & NIGHT



SSNR
SUPER NOISE
REDUCTION



SENS-UP
SENS-UP
0.0007 Lux

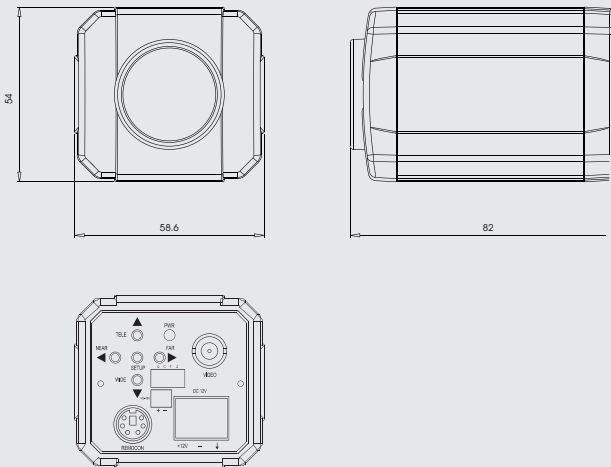


AUTO-IRIS



DC 12V

- DIMENSION -



- OPTION REMOTE CONTROLLER -



TZR-S1000 (10m Cable)

- SPECIFICATION -

TZH-1001		
Signal Format	NTSC	PAL
Image Sensor	1/4" Interline Transfer CCD	
Total Pixels	811(H) x 508(V)	795(H) x 596(V)
Effective Pixels	768(H) x 494(V)	752(H) x 582(V)
Optics	x10, f=3.8 to 38.0mm (F1.8)	
Min. Focus Distance	1000mm	
D. Zoom	OFF / ON (x2 ~ x10)	
Angle Field of view	H : Appr. 51.2° (Wide) to 5.58° (Tele) / V : Appr. 39.3° (Wide) to 4.27° (Tele)	
Scanning System	2:1 Interlace	
Synchronization	Internal	
Frequency	15.734 KHz(H) / 59.94 Hz(V)	15.625 KHz(H) / 50.00 Hz(V)
Resolution	Color (Wide) : 550 TV Lines (Min.), B/W (Wide) : 600 TV Lines (Min.)	
Min. Illumination	Color : 0.7Lux, B/W : 0.1Lux, Sens-up : 0.0007Lux	
S/N (Y signal)	50dB (AGC Off, Weight On)	
Video Output	CVBS : 1.0Vp-p/75Ω	
Focus	AUTO / MANUAL / ONE-PUSH	
Zoom Movement Speed	1.67 sec : Wide to Tele	1.75 sec : Wide to Tele
IRIS Control	AUTO / MANUAL	
Lens Initialize	Built-in	
Camera Title	ON / OFF (Displayed 15 characters)	
Camera ID	255 ID Selectable	
Day & Night	AUTO 1 / AUTO 2 / COLOR / BW (ICR)	
Gain Control	NORMAL / HIGH / OFF Selectable	
White Balance	ATW / AWC / MANUAL (1,800°K~10,500°K)	
Backlight Compensation	LOW / MIDDLE / HIGH / OFF Selectable	
Electronic Shutter Speed	Auto (x128~1/60sec~1/20,000sec) Sens-up and Sens-up Limit is selectable Flickerless	Auto (x128~1/50sec~1/20,000sec) Sens-up and Sens-up Limit is selectable Flickerless
OSD	Built-in	
Motion Detection	ON / OFF (4 Programmable Zone per Screen)	
Control Output	RS-485 or RS-232C (2400, 4800, 9600, 19200, 38400, 57600 bps)	
SSNR	LOW / MIDDLE / HIGH / OFF	
Privacy	ON / OFF (32Zones, It consists of 8Group 4Programmable Zone per Screen)	
Flip	Vertical, Horizontal, Vertical-Horizontal, OFF Selectable	
Preset	8 Positions (Store with Internal EEPROM)	
Input Voltage	DC 8V ~ 15V (Recommended : 9V or 12V)	
Input Current	350mA : Steady-state (at 9V), 500mA : Max. (Zoom, Focus, Day & Night motor operating, at 9V)	
Power Consumption	3.15W : Steady-state (at 9V), 4.5W : Max. (Zoom, Focus, Day & Night motor operating, at 9V)	
Operating Temperature/Humidity	-10°C to +50°C / 20% to 80% RH	
Storage Temperature/Humidity	-20°C to +60°C / 20% to 95% RH	
Dimension	39.9(W) x 43.7(H) x 61.67(D)mm (PCB 3EA)	
Weight	Approx. 310g	