

TCS-2104A

CMOS CCTV MODULE CAMERA

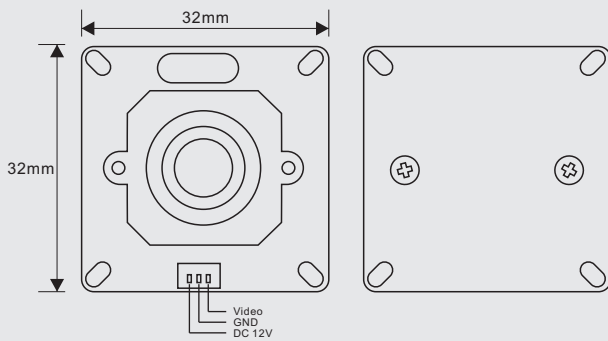


- FEATURES -

- 1/3" CMOS Image Sensor
- 540TV Lines Horizontal Resolution
- Excellent Low Light Sensitivity of 0.1Lux/F1.2
- Digital Day & Night (Color & B/W)
- Auto White Balance
- Auto Gain Control
- 32 x 32mm One Board Size



- DIMENSION -



- SPECIFICATIONS -

TCS-2104A	
Video IO Select	NTSC / PAL
Horizontal Resolution	540TV Lines
Image Sensor	1/3" CMOS Image Sensor
Total Pixels	762(H) x 504(V)
Scanning System	Interlace
Synchronization	Internal
Scanning Frequency	15.734 KHz(H), 59.944 Hz(V)
Video Output	CVBS : 1.0Vp_p / 75Ω
Min. Illumination	0.1Lux / F1.2
Iris Control	AUTO
Signal to Noise Ratio	More than 45dB
White Balance	AUTO
Gain Control	AUTO
Day & Night	Digital Day & Night (Color & B/W)
Input Voltage	DC 12V (±10%)
Power Consumption	Max. 0.9W
Operating Temp.	-10°C ~ +50°C
Storage Humidity	30% ~ 90% RH
Dimension	32(W) x 32(H) x 1(T)mm
Weight	Approx. 10g