

MSM-312, MSM-324, MSM-323

420TV LINES B/W STANDARD CAMERA

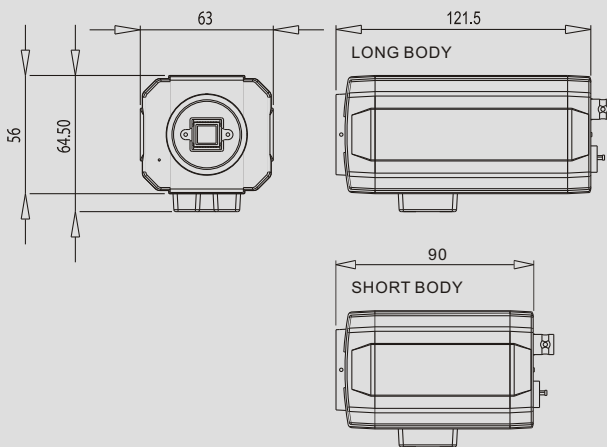


- FEATURES -

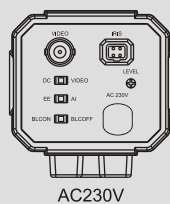
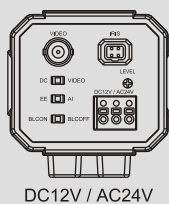
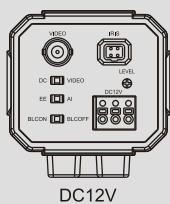
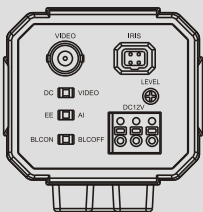
- 1/3" SONY SUPER HAD B/W CCD
- 420TV Lines Horizontal Resolution
- Excellent Low Light Sensitivity of 0.02Lux/F2.0
- DC & Video Controlled Varifocal Lens
- User-Friendly Dip Switch
- Synchronization - Line-Lock Function
- Strong Compatibility with Various Lens Type



- DIMENSION -



- BACK VIEW -



- SPECIFICATIONS -

MSM-312 / MSM-324 / MSM-323			
Signal Format	EIA	CCIR	
Horizontal Resolution	420TV Lines		
Image Sensor	1/3" SONY Super HAD B/W CCD		
Scanning System	525 lines interlaced	625 lines interlaced	
Synchronization	Internal		
Video Output	Standard composite 1Vp-p composite video into 75Ω		
Min. Illumination	0.02Lux / F2.0		
Electronic Shutter	1/60 ~ 1/100,000 sec Auto	1/50 ~ 1/100,000 sec Auto	
Signal to Noise Ratio	45 dB or more (AGC Off)		
Gamma	0.45		
AGC	On		
Input Voltage	DC 12V	DC 12V / AC 24V	AC 230V
Power Consumption	MAX 2W	MAX 3.2W	MAX 6.5W
Power	3Pin Terminal		AC Power Cord
DIP Switch Control	AI/EE Mode, AGC on/off, Back light compensation on/off		
Operating Temperature	-10°C to +55°C		
Storage Temperature	-20°C to +70°C		
Operating Humidity	Under 90% Non-condensing		
Storage Humidity	Under 90% Non-condensing		
Dimension	63.0(W) x 64.5(H) x 121.5(long), 90(short) (D)mm		
Weight	300g	328g	524g