

COVERT CAMERA

THC-612S

WDR COVERT CCTV CAMERA

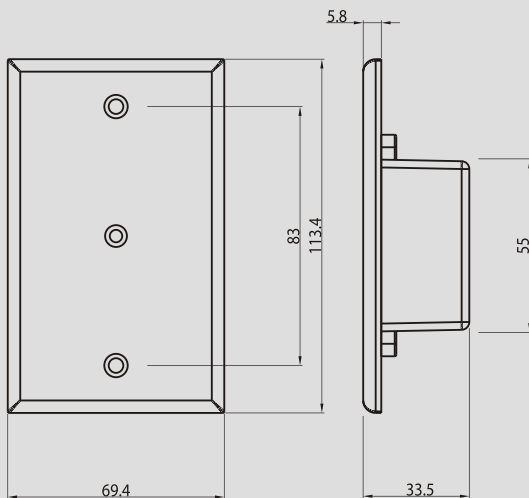


- FEATURES -

- 1/3" SONY Double Scan CCD
- Color : 560TV Lines, B/W : 700TV Lines
- Color 0.3Lux/F1.2, B/W : 0.01Lux/F1.2
Sens-up (x128) : 0.0001Lux/F1.2
- Super WDR : Wide Dynamic Range (x128)
- DNR : Digital Noise Reduction
- DIS : Digital Image Stabilizer
- Conical Pinhole Lens 3.3mm / Angle View 130°



- DIMENSION -



- SPECIFICATION -

THC-612S		
Signal Format	NTSC	PAL
Horizontal Resolution	Color : 560TV Lines, B/W : 700TV Lines	
Image Sensor	1/3" SONY Double Scan CCD	
Effective Pixels	768(H) x 494(V)	752(H) x 582(V)
Scanning System	2:1 Interlace	
Synchronization	Internal	
Scanning Frequency	15.734 Khz(H), 59.94 Hz(V)	15.625 Khz(H), 50.00 Hz(V)
Video Output	CVBS : 1.0Vp-p/75Ω	
Min. Illumination	Color 0.3Lux/F1.2, B/W 0.01Lux/F1.2, Sens-up 0.0001Lux/F1.2	
Electronic Shutter	1/60 ~ 1/120,000 sec	1/50 ~ 1/120,000 sec
Signal to Noise Ratio	52dB (AGC Off, Weight On)	
Backlight Compensation	WDR / BLC / OFF Selectable	
White Balance	ATW / AWC / Manual / Outdoor (1,800°K~10,500°K) Indoor (4,500°K~8,500°K)	
Gain control	LOW / HIGH / OFF Selectable	
DNR	ON / OFF (1~32 Level Adjustable)	
Day & Night	COLOR / BLACK & WHITE / AUTO / EXT	
Sense-up	AUTO / OFF (selectable x2 ~ x256)	
Wide Dynamic Range	52dB (x128)	
DIS	ON / OFF	
Digital Zoom	ON (x2 ~ x10) / OFF	
Motion Detection	ON / OFF (8 Zone, Alarm Output)	
Privacy	ON / OFF (8 Zone)	
Mirror (H-REV)	ON / OFF	
Flip (V-REV)	ON / OFF	
Freeze	ON / OFF	
Sharpness	ON / OFF (Level Adjustable)	
OSD	Built-in (Korean, English, Japanese)	
Input Voltage	DC 12V (±10%)	
Power Consumption	Max. 2.0W	
Operating Temp/Hum	-10°C to +50°C / 30% to 80% RH	
Storage Temp/Hum	-20°C to +60°C / 20% to 90% RH	
Dimension	69.4(W) x 113.4(H) x 33.5(D) mm	
Weight	78g	