

## IR LED CAMERA

# TEC-T72QLS2/DV28

600TVL / D-WDR / TDN / 72 IR LED CAMERA



## IP67



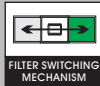
### - FEATURES -

- 1/3" SONY High-Resolution Super HAD II CCD
- 600TV Lines Horizontal Resolution
- Excellent Low Light Sensitivity of 0.3Lux/F1.2
- 72ea IR LED (Visibility Range : 40~50m)
- True Day & Night
- IR Smart
- Digital WDR : Digital Wide Dynamic Range
- DNR : Digital Noise Reduction
- HLC : High Light Compensation
- Blemish Compensation : 64 Points
- Lens Shading
- Motion Detection
- Privacy
- DC Varifocal ICR Lens f=2.8~11.0mm
- IP67 Weatherproof Type
- All Weatherproof Anodized Aluminum Housing and Sunshield

Option : RS-485



1/3 SONY  
SUPER HAD II CCD



FILTER SWITCHING  
MECHANISM



DAY & NIGHT



DIGITAL WDR  
DIGITAL WIDE  
DYNAMIC RANGE



DNR  
DIGITAL NOISE  
REDUCTION



HLC  
HIGH-LIGHT  
COMPENSATION



AUTO IRIS



2.8-11.0mm  
VARIFOCAL LENS



72 IR LED

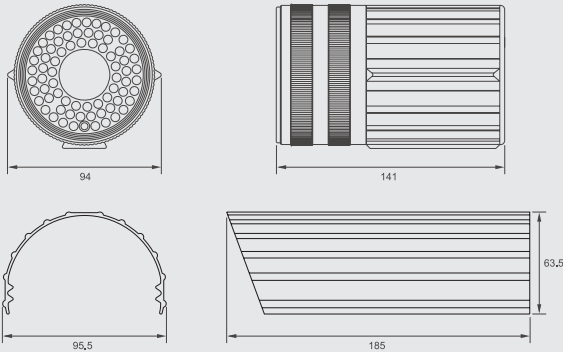


IP 67

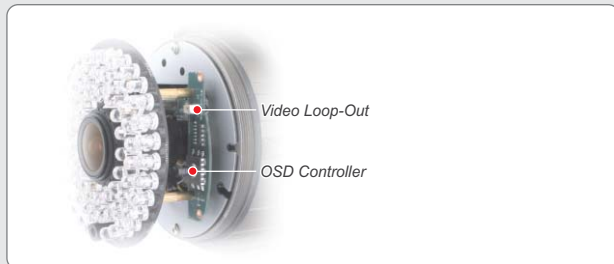


DC 12V

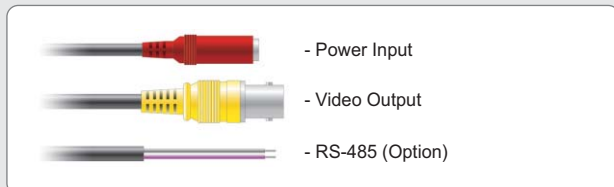
### - DIMENSION -



### - OSD CONTROLLER -



### - CABLE -



### - SPECIFICATIONS -

TEC-T72QLS2/DV28		
Signal Format	NTSC	PAL
Horizontal Resolution	600TV Lines	
Image Sensor	1/3" SONY High-Resolution Super HAD II CCD	
Total Pixels	811(H) x 508(V)	795(H) x 596(V)
Effective Pixels	768(H) x 494(V)	752(H) x 582(V)
Scanning System	2:1 Interlace	
Synchronization	Internal	
Scanning Frequency	15.734 KHz(H), 59.94 Hz(V)	15.625 KHz(H), 50.0 Hz(V)
Video Output	CVBS : 1.0Vp-p/75Ω	
Min. Illumination	0.3Lux/F1.2	
Electronic Shutter	1/60 ~ 1/100,000 sec	1/50 ~ 1/100,000 sec
Iris Control	DC	
Signal to Noise Ratio	52dB (AGC Off, Weight On)	
Backlight Compensation	BLC / HLC / OFF	
White Balance	ATW1 (2,500°K ~ 9,500°K) / ATW2 (2,000°K ~ 11,000°K) / MANUAL / INDOOR / OUTDOOR	
Gain Control	LOW / HIGH / OFF	
DNR	ON / OFF (Level Adjustable)	
Day & Night	AUTO / COLOR / BW / EXT	
IR Control	ON / OFF (IR Smart)	
Digital WDR	ON / OFF	
Motion Detection	ON / OFF (4 Zone)	
Privacy	ON / OFF (8 Zone)	
Horizontal Mirror	ON / OFF	
Communication	RS-485	
Blemish Compensation	64 Points (Auto)	
Lens Shading	ON / OFF	
Parking Line	User Setting (LT, LB, RT, RB, F, N, T)	
OSD	Built-in (English, Chinese)	
Lens	DC Varifocal ICR Lens f=2.8~11.0mm	
LED Quantity	72 EA	
Input Voltage	DC 12V (±10%)	
Power Consumption	LED Off : Max. 1.5W / LED On : Max. 9.0W	
Operating Temp/Hum	Temperature : -10°C ~ +50°C / Humidity : 30% ~ 80% RH	
Dimension	94(Ø) x 141(D)mm	
Weight	Approx. 1.1kg (W/Bracket & Sunshield)	

In accordance with customers' request and OSD controller's option, the specifications can be fixed or changed without notice.