

TEC-T72QLS/DV28

580TVL / SENS-UP / TDN / 72 IR LED CAMERA



IP67



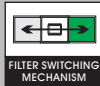
- FEATURES -

- 1/3" SONY High-Resolution Super HAD II CCD
- 580TV Lines Horizontal Resolution
- Excellent Low Light Sensitivity of 0.3Lux/F1.2
- Sens-up : x2 ~ x256 (0.0002Lux/F1.2)
- 72ea IR LED (Visibility Range : 40~50m)
- True Day & Night
- IR Smart
- Digital WDR : Digital Wide Dynamic Range
- 2D+3D DNR : 2D+3D Digital Noise Reduction
- HSBLC : High-light Suppress BLC
- Blemish Compensation
- Motion Detection
- Privacy
- x256 Digital Zoom
- DC Varifocal ICR Lens f=2.8~11.0mm
- IP67 Weatherproof Type
- All Weatherproof Anodized Aluminum Housing and Sunshield

Option : RS-485



1/3 SONY SUPER HAD II CCD



FILTER SWITCHING MECHANISM



DAY & NIGHT



DIGITAL WDR
DIGITAL WIDE DYNAMIC RANGE



2D+3D DNR
2D+3D DIGITAL NOISE REDUCTION



SENS-UP
x2 ~ x256 SENS-UP



HSBLC
HIGH-LIGHT SUPPRESS BLC



2.8-11.0mm VARIFOCAL LENS



72 IR LED

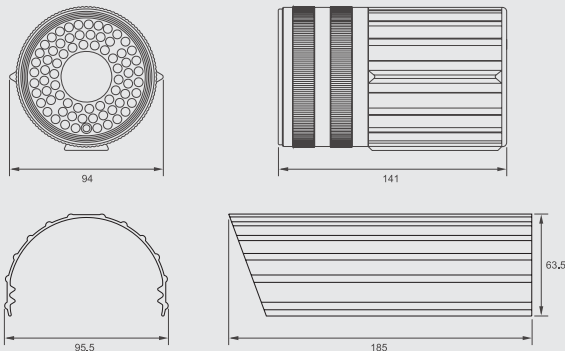


IP 67



DC 12V

- DIMENSION -

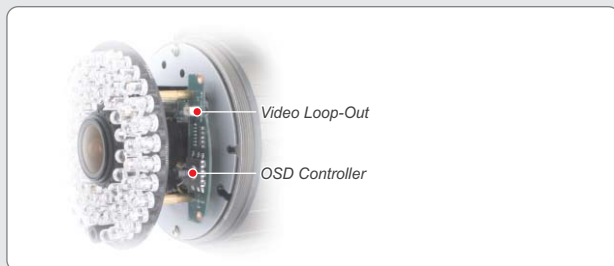


- SPECIFICATIONS -

TEC-T72QLS/DV28		
Signal Format	NTSC	PAL
Horizontal Resolution	580TV Lines	
Image Sensor	1/3" SONY High-Resolution Super HAD II CCD	
Effective Pixels	768(H) x 494(V)	752(H) x 582(V)
Scanning System	2:1 Interlace	
Synchronization	Internal	
Scanning Frequency	15.734 KHz(H), 59.94 Hz(V)	15.625 KHz(H), 50.00 Hz(V)
Video Output	CVBS : 1.0Vp-p/75Ω	
Min. Illumination	0.3Lux/F1.2 (Sens-up : 0.0002Lux/F1.2)	
Electronic Shutter	1/60 ~ 1/100,000 sec	1/50 ~ 1/100,000 sec
Iris Control	DC	
Signal to Noise Ratio	50dB (AGC Off, Weight On)	
Backlight Compensation	BLC / HSBLC / OFF	
White Balance	AWB / MANUAL / INDOOR / OUTDOOR / ATW (2,000°K ~ 20,000°K)	
Gain Control	LOW / MIDDLE / HIGH / OFF	
2D+3D DNR	ON / OFF	
Day & Night	AUTO / COLOR / BW / EXT	
IR Control	ON / OFF (IR Smart)	
Sens-up	AUTO / OFF (x2 ~ x256)	
Digital WDR	ON / OFF	
Digital Zoom	ON / OFF (x256)	
Gamma	Adjustable (0.05 ~ 1.00)	
Motion Detection	ON / OFF (4 Zone)	
Privacy	ON / OFF (8 Zone)	
Mirror	MIRROR / V-FLIP / ROTATE / OFF	
Freeze	ON / OFF	
Sharpness	ON / OFF (Level Adjustable)	
Communication	RS-485	
Blemish Compensation	128 Points (Auto) / 4 Points (Manual)	
OSD	Built-in (English, Korean, Japanese, Chinese)	
Lens	DC Varifocal ICR Lens f=2.8~11.0mm	
LED Quantity	72 EA	
Input Voltage	DC 12V (±10%)	
Power Consumption	LED Off : Max. 1.9W / LED On : Max. 8.9W	
Operating Temp/Hum	Temperature : -10°C ~ +50°C / Humidity : 30% ~ 80% RH	
Dimension	94(Ø) x 141(D)mm	
Weight	Approx. 1.1kg (W/Bracket & Sunshield)	

In accordance with customers' request and OSD controller's option, the specifications can be fixed or changed without notice.

- OSD CONTROLLER -



- CABLE -

