

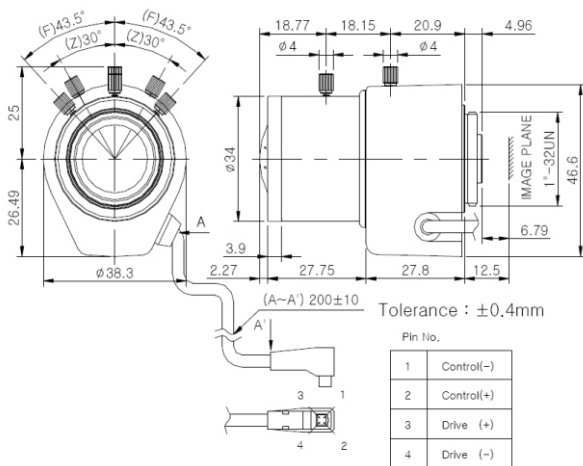
# LENS

## TV3Z0514G

### VARIFOCAL CS MOUNT



### DIMENSION



### FEATURES

- Focal Length : 4.0 ~ 16.0mm
- Back Focal Length : 6.92 ~ 16.9mm
- Image Format Size : 1/3", 1/4"
- Aperture Ratio : F1.4 ~ 360
- Operation : Iris / Auto Iris (Video Type), Focus / Manual
- Angle of View (Under Scan)  
1/3" / (D) 75.9°~22.9° / (H) 62.1°~18.3°  
/ (V) 47.0°~13.8°  
1/4" / (D) 57.9°~17.0° / (H) 46.6°~13.6°  
/ (V) 35.1°~10.2°
- Dimension ( W x L ) : 43.7 x 59.7mm
- Weight : 60.0g
- Mount : CS